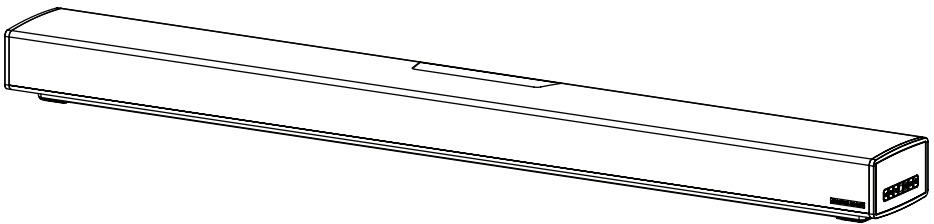
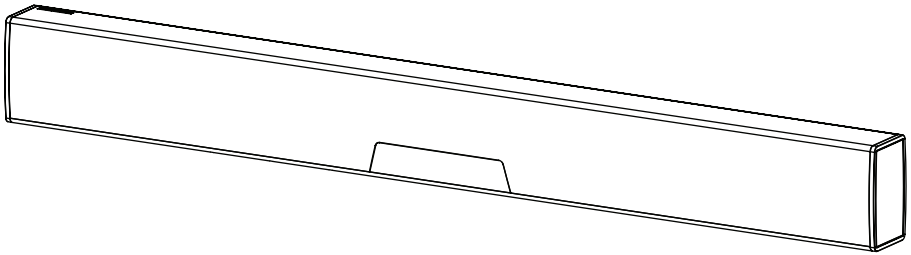
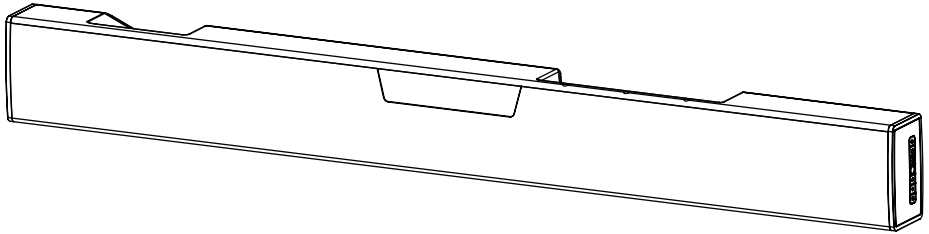


Verse™

user's manual





Do Not Open! Risk of Electrical Shock. Voltages in this equipment are hazardous to life. No user-serviceable parts inside. Refer all servicing to qualified service personnel. To prevent fire or shock hazard, do not expose this module to moisture.



The lightning bolt flash with arrowhead symbol within an equilateral triangle, is intended to alert the user to the presence of potentially "dangerous voltage" within the product's enclosure that may be of sufficient magnitude to constitute a risk of electric shock to persons.




The exclamation point within an equilateral triangle is intended to alert the user to the presence of important operating and maintenance (servicing) instructions in the literature accompanying the appliance.


VERSE

Tested to comply with FCC standards.
FOR HOME OR OFFICE USE

IMPORTANT SAFETY INSTRUCTIONS!

1. Read these instructions.
2. Keep these instructions.
3. Heed all warnings.
4. Follow all instructions.
5. Do not use this apparatus near water.
6. Clean only with dry cloth.
7. Do not block any ventilation openings. Install in accordance with the manufacturer's instructions.
8. Do not install near any heat sources such as radiators, heat registers, stoves, or other apparatus (including amplifiers) that produce heat.
9. Do not defeat the safety purpose of the polarized or grounding-type plug. A polarized plug has two blades with one wider than the other. A grounding type plug has two blades and a third grounding prong. The wide blade or the third prong are provided for your safety. If the provided plug does not fit into your outlet, consult an electrician for replacement of the obsolete outlet.
10. Protect the power cord from being walked on or pinched, particularly at plugs, convenience receptacles, and the point where they exit from the apparatus.
11. Only use attachments/accessories specified by the manufacturer.
12. Use only with the cart, stand, tripod, bracket, or table specified by the manufacturer, or sold with the apparatus. When a cart is used, use caution when moving the cart/apparatus combination to avoid injury from tip-over. 
13. Unplug this apparatus during lightning storms or when unused for long periods of time.
14. Refer all servicing to qualified service personnel. Servicing is required when the apparatus has been damaged in any way, such as power-supply cord or plug is damaged, liquid has been spilled or objects have fallen into the apparatus, the apparatus has been exposed to rain or moisture, does not operate normally, or has been dropped.
15. To completely disconnect this equipment from the AC mains, disconnect the power supply cord plug from the AC receptacle.
16. The mains plug of the power supply cord shall remain readily accessible.
17. CAUTION: Danger of explosion if battery is incorrectly replaced. Replace only with the same or equivalent type (AAA). Dispose of dead batteries in accordance with local regulation.
18. To prevent overheating, do not cover the apparatus. Install in accordance with the manufacturer's instructions.
19. No naked flame sources, such as candles, should be placed on the product.
20. Do not expose this apparatus to dripping or splashing and ensure that no objects filled with liquids, such as vases, are placed on the apparatus.
21. Batteries (battery pack or batteries installed) shall not be exposed to excessive heat such as sunshine, fire, or the like.
22. For apparatus mounted to wall, the apparatus shall be installed on solid wood, bricks, concrete or solid wood columns and battens.
23. DO NOT overload wall outlets or extension cords beyond their rated capacity as this can cause electric shock or fire.
24. Minimum distances around the apparatus for sufficient ventilation.
25. The ventilation should not be impeded by covering the ventilation openings with items, such as newspapers, tablecloths, curtains, etc.
26. Do not ingest the battery, Chemical Burn Hazard.
27. Keep new and used batteries away from children.
28. If the battery compartment does not close securely, stop using the product and keep it away from children.
29. If you think batteries might have been swallowed or placed inside any part of the body, seek immediate medical attention.
30. The battery (battery or batteries or battery pack) shall not be exposed to excessive heat such as sunshine, fire or the like.
31. Risk of leakage. Only use the specified type of Batteries. Never mix new and used batteries. Observe correct polarity. Remove batteries from products that are

not in use for extended periods of time. Store batteries in a dry place.

32. Do not recharge non-rechargeable batteries.
33. Avoid exposure to extreme heat or cold.
34. This equipment is a Class II or double insulated electrical appliance.  It has been designed in such a way that it does not require a safety connection to electrical earth.
35. Danger of explosion if battery is incorrectly replaced. Replace only with the same or equivalent type.
36. (The remote control supplied with) This product contains a AAA battery. If the AAA battery is swallowed, it can cause severe internal burns in just 2 hours and can lead to death.
37. Do not handle leaking or damaged AAA batteries.
38. THIS PRODUCT CONTAINS A AAA BATTERY. IF MISUSED OR ABUSED THIS CAN RESULT IN:
 - Smoke or gas hazard
 - Heat hazard
 - Fire hazard
 - Explosion hazard

WARNING: This product is intended to be operated ONLY from the AC Voltages listed on the back panel or included power supply of the product. Operation from other voltages other than those indicated may cause irreversible damage to the product and void the product warranty. The use of AC Plug Adapters is cautioned because it can allow the product to be plugged into voltages in which the product was not designed to operate. If the product is equipped with a detachable power cord, use only the type provided with your product or by your local distributor and/or retailer. If you are unsure of the correct operational voltage, please contact your local distributor and/or retailer.

This device complies with Part 15 of the FCC Rules. Operation is subject to the following two conditions: (1) This device may not cause harmful interference, and (2) this device must accept any interference received, including interference that may cause undesired operation.

FEDERAL COMMUNICATIONS COMMISSION INTERFERENCE

STATEMENT: This equipment has been tested and found to comply with the limits for a Class B digital device, pursuant to part 15 of the FCC Rules. These limits are designed to provide reasonable protection against harmful interference in a residential installation. This equipment generates, uses and can radiate radio frequency energy and, if not installed and used in accordance with the instructions, may cause harmful interference to radio communications. However, there is no guarantee that interference will not occur in a particular installation. If this equipment does cause harmful interference to radio or television reception, which can be determined by turning the equipment off and on, the user is encouraged to try to correct the interference by one

or more of the following measures:

- Reorient or relocate the receiving antenna.
- Increase the separation between the equipment and receiver.
- Connect the equipment into an outlet on a circuit different from that to which the receiver is connected.
- Consult the dealer or an experienced radio/TV technician for help.

Approved under the verification provision of FCC Part 15 as a Class B Digital Device.

Any changes or modifications not expressly approved by the grantee of this device could void the user's authority to operate the equipment.

RF EXPOSURE INFORMATION: This equipment complies with FCC/IC radiation exposure limits set forth for an uncontrolled environment and meets the FCC radio frequency (RF) Exposure Guidelines in Supplement C to OET65 and RSS-102 of the IC radio frequency (RF) Exposure rules. This equipment has very low levels of RF energy that are deemed to comply without testing of specific absorption ratio (SAR).

2. CAUTION

- comply with FCC RF exposure compliance requirement, separation distance of at least 20 cm must be maintained between this product and all persons.
- This product and its antenna must not be co-located or operating in conjunction with any other antenna or transmitter.
- This transmitter must not be co-located or operating in conjunction with any other antenna or transmitter.
- This device meets all the other requirements specified in Part 15E, Section 15.407 of the FCC Rules.

CONTAINS FCC ID : MBBDMRS4

This product complies with Part 15 of the FCC Rules. Operation is subject to the following two conditions: (1) this product may not cause harmful interference, and (2) this product must accept any interference received, including interference that may cause undesired operation.

MartinLogan, Ltd.

2101 Delaware, Lawrence, KS

MODEL NUMBER : VERSE

FCC ID: MBBVERSE

IC Information (For Canadian customers)

MODEL NUMBER : VERSE

IC NO : 11657A-VERSE

1. CONTAINS IC : 11657A-DMRS4

This Class B digital apparatus complies with Canadian CAN ICES-3(B) / NMB-3(B). Operation is subject to the following two conditions: (1) this product may not cause harmful interference, and (2) this product must accept any interference received, including interference that may cause undesired operation.

2. CAUTION

To reduce potential radio interference to other users, the antenna type and its gain should be so chosen that the equivalent isotropically radiated power (e.i.r.p.) is not more than that permitted for successful communication.

This equipment complies with IC radiation exposure limits set forth for an uncontrolled environment. This equipment should be installed and operated with minimum distance 20 cm between the radiator & your body.

CE: Hereby, MartinLogan, Ltd., declares that this Verse is in compliance with the essential requirements and other relevant provisions of:

1995/5/EC – R&TTE

2014/30/EU – EMC

2014/35/EU – LVD

2011/65/EU – ROHS2




 **WEEE NOTICE**

Note: This mark applies only to countries within the European Union (EU) and Norway.

In accordance with the European Union WEEE (Waste Electrical and Electronic Equipment) directive 2002/96/EC effective August 13, 2005, we would like to notify you that this product may contain regulated materials which upon disposal, according to the WEEE directive, require special reuse and recycling processing. For this reason Martin Logan has arranged with our distributors in European Union member nations to collect and recycle this product at no cost to you. To find your local distributor please contact the dealer from whom you purchased this product, email info@martinlogan.com or visit the distributor locator at www.martinlogan.com.

Please note, only this product itself falls under the WEEE directive. When disposing of packaging and other related shipping materials we encourage you to recycle these items through the normal channels.

 **WARNING/CAUTION!**

- Hazardous voltages exist inside—do not remove cover.
- Refer servicing to a qualified technician.
- To prevent fire or shock hazard, do not expose this module to moisture.
- Unplug speaker should any abnormal conditions occur.
- Turn speaker off before making or breaking any signal connections!
- The power cord should not be installed, removed, or left detached from the speaker while the other end is connected to an AC power source.
- No candles or other sources of open flame should be placed on the speaker.
- No liquids either in glasses or vases should be placed on speaker.
- Speaker should not be exposed to dripping or splashing liquids.
- The terminals marked with the lightning bolt symbol should be connected by an instructed person or by way of ready made terminals.
- The power cord should remain readily operable should any abnormal conditions occur.
- Any changes or modifications not expressly approved by the grantee of this device could void the user's authority to operate the equipment.

For DTS patents, see <http://patents.dts.com>. Manufactured under license from DTS Licensing Limited. DTS, the Symbol, DTS in combination with the Symbol, and DTS Digital Surround are registered trademarks or trademarks of DTS, Inc. in the United States and/or other countries. © DTS, Inc. All Rights Reserved.

Manufactured under license from Dolby Laboratories. Dolby, Dolby Audio and the double-D symbol are trademarks of Dolby Laboratories.

The Bluetooth® word mark and logos are registered trademarks owned by Bluetooth SIG, Inc. and any use of such marks by MartinLogan, Ltd. is under license.

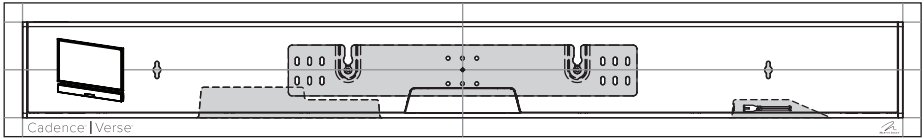
Qualcomm aptX is a product of Qualcomm Technologies International, Ltd. Qualcomm is a trademark of Qualcomm Incorporated, registered in the United States and other countries, used with permission. aptX is a trademark of Qualcomm Technologies International, Ltd., registered in the United States and other countries, used with permission

Other trademarks and trade names are those of their respective owners.

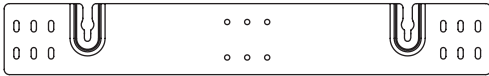
Introduction and Overview	8	Menu Options (continued)	
Placement and Mounting	8	Surrounds	24
Location	8	Stereo Mode	24
Installing on a Flat Surface	8	Bass Mode	24
On-Wall Installation	8	Display	24
Connection	11	Anthem Room Correction	25
Power Connection	11	Power Settings	25
Signal Connection	12	Wireless Setup	26
Subwoofer Connection	13	Learn Remote	26
Ethernet Connection	14	Source Name	27
IR Outputs	14	Service	27
An Introduction to Audio Connections	16	Surround Sound Decoding	28
Volume Behavior by Input	17	Digital Inputs (Digital Optical)	28
Control Panel	18	Analog Input	28
Remote Control	18	Updates and Rebooting	29
Changing the Remote's Battery	19	Rebooting Your Soundbar	29
Programming a Second Remote	19	Soundbar Firmware Update	29
Display	20	ARC™ (Anthem Room Correction)	29
The Menu System	20	General Information	30
Entering and Exiting the Menu	20	Warranty Information	30
Navigating the Menu	20	Service	30
Menu Options	21	Serial Number	30
Installation	21	Contacting Customer Service	30
Subwoofer	21	Frequently Asked Questions	31
Bass Level	22	Troubleshooting	32
An Overview of the Menu Structure	22	Specifications	34
		Dimensional Drawings	35

Serial Number: _____

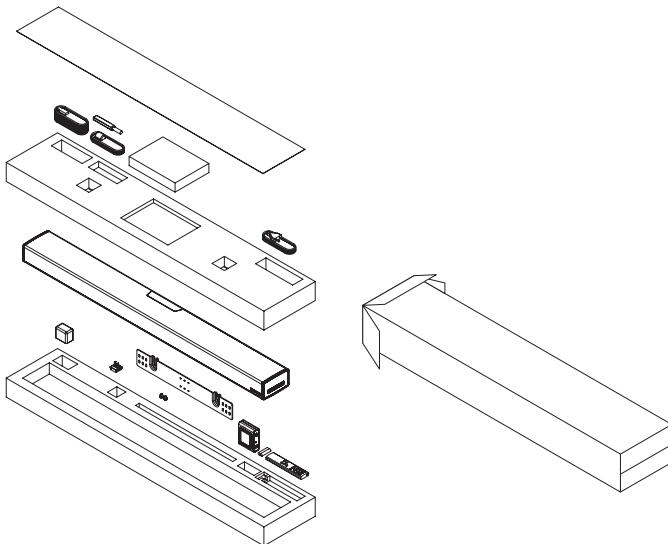
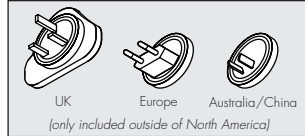
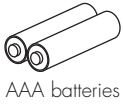
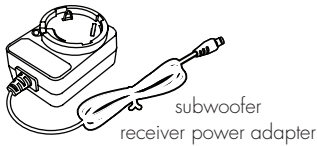
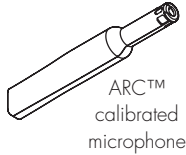
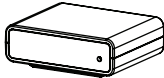
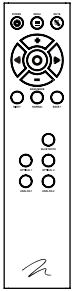
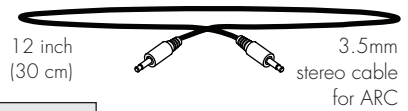
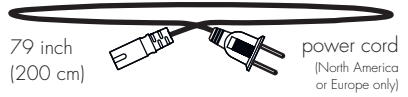
Record your serial number here for easy reference. You will need this information when filling out your warranty registration. The serial number is located on the back of the sound bar and on the product carton.



wall mount installation template



wall bracket



INTRODUCTION AND OVERVIEW

Thank you—the MartinLogan owner, for loving what we do, and making it possible for us to do what we love.

MartinLogan’s dedicated in-house engineering and design team developed the Verse soundbar to deliver exceptional multi-channel performance from a single system that easily integrates and installs in a diverse variety of environments—whether table or wall mounted. The Verse produces an enveloping field of richly detailed audio for both music and movies.

Advanced digital signal processing technology allows MartinLogan to replace five dedicated home theater speakers with a one piece solution capable of reproducing multi-channel recordings with unflinching accuracy, resolution, and detail—the inspiration behind every MartinLogan design. The Verse reproduces front left, right, and center channels via the system’s dedicated tweeters and woofers. Surround channels are simulated using

sophisticated digital signal processing that directs sound from the system’s tweeters and woofers throughout the room.

Additionally, for a fully authentic surround sound experience, the Verse’s built in subwooferwireless transmitter and subwoofer wireless receiver makes connecting a dedicated subwoofer as simple as the push of a button.

Anthem® Room Correction (ARC) allows you to analyze the acoustic response of your listening environment and adjust output of the soundbar for optimal performance.

The simple remote control quickly adjusts volume and selects inputs. The remote also allows you to easily switch between three discrete acoustic modes—‘Night’ mode (to dial down the bass), ‘Bass+’ mode (for those moments requiring a little extra thunder), and a ‘Normal’ mode that restores normal levels.

PLACEMENT AND MOUNTING

LOCATION

We recommend locating the soundbar centered directly above or below your video display. The soundbar menu allows you to optimize acoustic performance for either ‘on-wall’ or ‘on-shelf’ installations. You will learn more about accessing these options in the “Controls” section of this manual.

When installing the system in this configuration, use the soundbar’s menu system to choose ‘Installation > Shelf Mount’.

Please note: This speaker is not magnetically shielded and should not be placed directly beneath or on top of a CRT television. The magnetic field will not affect plasma and LCD style televisions.

INSTALLING ON A FLAT SURFACE

If you have a surface that provides a wide, level, and stable platform (such as a table or audio/video rack), the soundbar can be placed directly on top.

ON-WALL INSTALLATION

The soundbar can be mounted above or below a television with the feedback display and rear connection panels orientated towards the bottom or top of

the soundbar (depending on your specific installation requirements). The information shown on the soundbar display can be flipped to match your installation orientation.

Note: These instructions assume the mounting surface is standard wood frame and sheetrock construction. If you wish to mount to another type of surface, consult a bonded contractor.

Note: When installing the system in this configuration, use the soundbar's menu system to choose 'Installation > Wall Mount'.


Required tools (not included):

- Stud finder
- Level
- Electric drill and drill bits
- Phillips screwdriver

Required hardware (included):

- (1) Installation template
- (1) Wall bracket

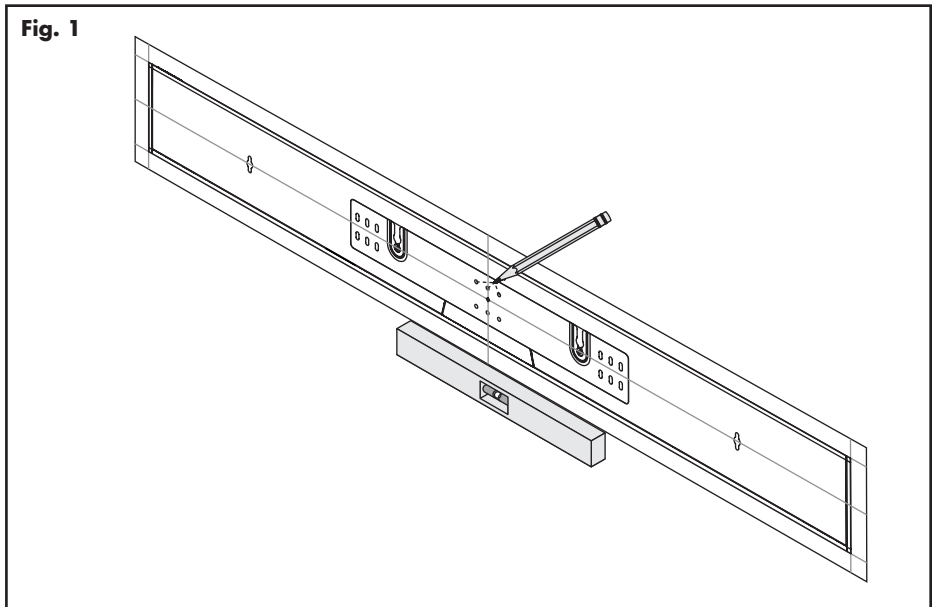
WARNING! We strongly recommend locating the wall bracket so at least one of the screw locations attaches to a stud. **WARNING!** To prevent injury, this apparatus must be securely attached to the floor/wall in accordance with the installation instructions.



Required hardware (not included):

- (5) Screws appropriate for mounting surface
 - (5) Sheet rock anchors (sized for screws)
- 1 Locate mounting location using a level and the installation template (fig. 1).
 - 2 Mark the three central pilot hole locations and remove the installation template (fig. 1).
 - 3 Using a stud finder, determine if there is a wall stud directly behind one of the three center screw locations (fig. 2a).

If no stud is found: use the center most screw



location and drill a pilot hole for the wall anchor. Install a wall anchor at this location. **If a wall stud is found:** drill a pilot hole into the stud.

- Using a screw, attach the wall bracket to the wall. **DO NOT** tighten (fig. 2b).
- Using a stud finder, determine if a wall stud is directly behind any of the remaining screw locations (fig. 2a).

If no stud is found: use the top and bottom center-most screw locations. **If a wall stud is found:** use the top and bottom screw locations with a stud behind them.

Use a level to square the wall bracket and mark the remaining pilot hole locations (fig. 2b).

- Remove the wall bracket or pivot to access the remaining screw locations (fig. 2b).

If no stud is found: drill pilot holes and install wall anchors. **If a wall stud is found:** drill pilot holes into the stud.

- Using the screws, attach the wall bracket to the wall. **DO NOT** fully tighten.
- Use a level to square the wall bracket. Tighten all screws (fig. 2b).
- Attach audio and power cables as needed. Refer to the 'Connection' section of this manual.
- Move the soundbar into place and drop the shoulder bolts into the wall bracket keyholes. Before releasing, make sure the soundbar has dropped fully into the keyholes and is held firmly in place (fig. 3).

Fig. 2a

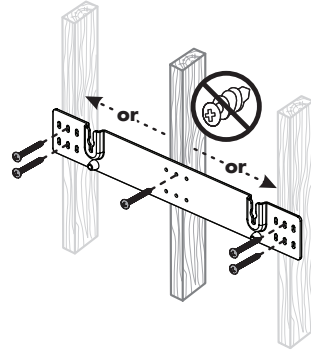


Fig. 2b

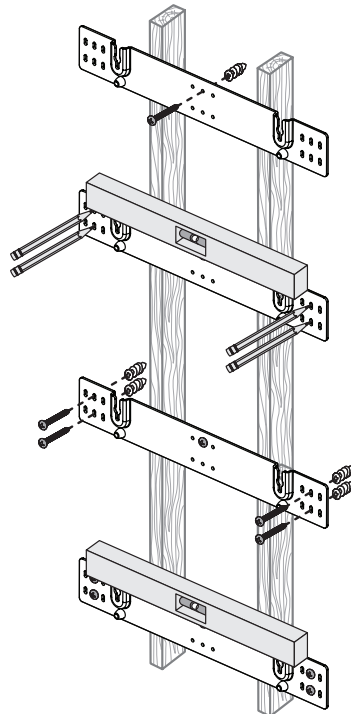
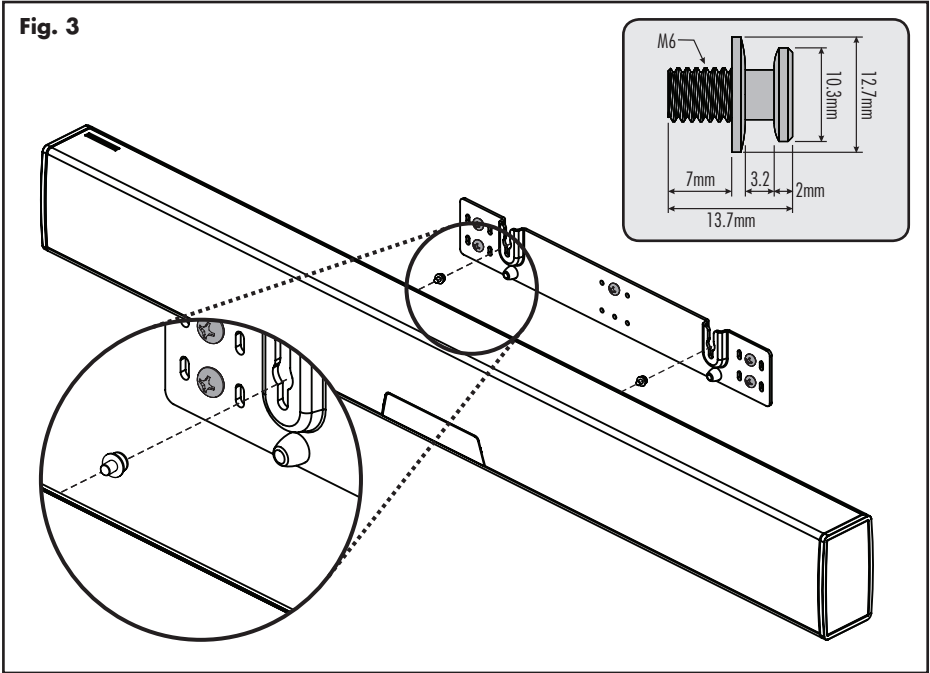


Fig. 3



CONNECTION

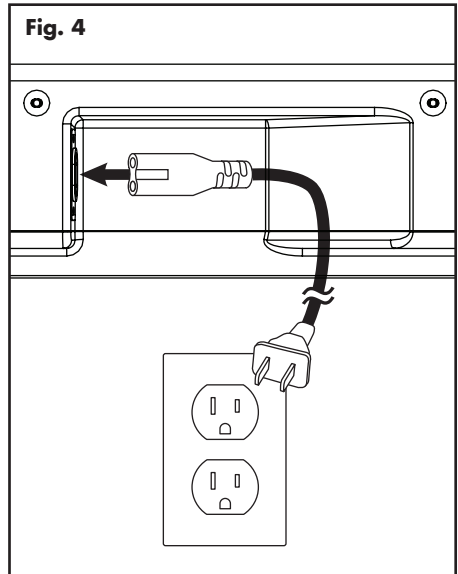
WARNING! Turn your soundbar off before making or breaking any signal connections! **WARNING!** The power cord should not be installed, removed, or left detached from the soundbar while the other end is connected to an AC power source.



POWER CONNECTION

The power cord should be firmly inserted into the AC power receptacle on the rear connection panel of the soundbar, then to any convenient AC wall outlet. The soundbar also integrates a signal sensing power supply that automatically switches into standby mode after sensing no audio signal for approximately 20 minutes (this will only occur when the menu's power setting is set to 'Auto Standby').

Fig. 4



If you remove your soundbar from the country of original sale, be certain that AC power supplied in any subsequent location is suitable before connecting and operating the soundbar. Substantially impaired performance or severe damage may occur to the soundbar if operation is attempted from an incorrect AC power source.

SIGNAL CONNECTION

When utilizing the soundbar to reproduce audio, a television's audio output should be defeated. Some televisions will allow you to turn off the internal speaker via the television's menu system. Other televisions may require you to turn the television's volume to "zero" or "mute".

Additionally, if you're connecting your television audio out using a digital optical connection your television may require you to turn on the digital optical output and configure the output for 5.1 surround sound. Please refer to your television's manual.

Connections are made at the signal input section on the rear electronics panel of the soundbar. Your soundbar features the following inputs:

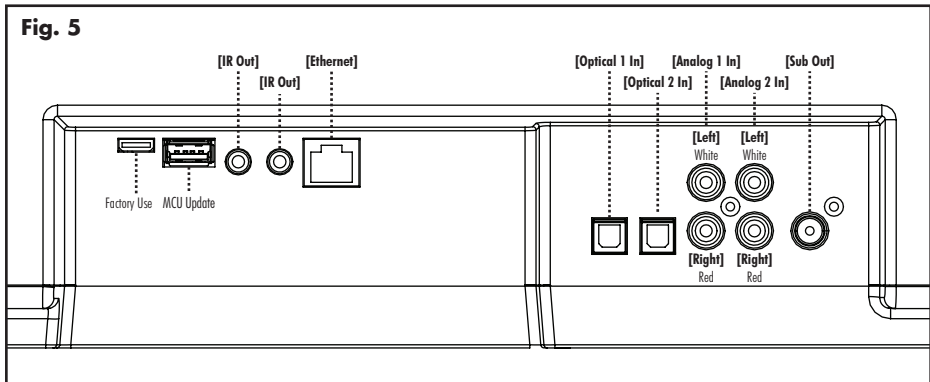
- 2 x Digital Optical inputs (audio only)
- 2 x Left/Right Analog (RCA) inputs (audio only)

Please note, if your soundbar is being used in an on-wall installation you may find it helpful to use 90° RCA adapters when making signal connections.

When connecting your system, there are any variety of configurations that will work, and these methods will vary based on user preference.

Some users will choose to route all sources (such as DVD player, cable box, game console, media streamer, etc.) to their television via an or digital optical connection and use the television to switch between audio/video sources. The advantage of this connection method is that only one audio cable (either digital optical) needs to connect between the television and the soundbar—and changing the input on your television will change the audio signal being sent to the soundbar (without having to change the input setting on the soundbar itself). **Please note:** many televisions are not capable of passing multi-channel encoded audio signals and will down-mix these signals to a 2-channel stereo mix before sending them to the television's digital output.

Depending on your number of sources, the TV may be used for switching some sources while the primary source devices may be directly connected to the soundbar for guaranteed multi-channel sound.



A few important points to remember when connecting your soundbar:

- Digital optical will provide the highest audio fidelity when connecting to the soundbar.
- If your soundbar is not producing sound or surround sound from your Blu-ray player, DVD player, or other multi-channel audio capable source, you may need to set the player's digital audio output to "Bitstream" (also called "Raw", "Direct Digital", or "High Bit Rate"). If "PCM" is selected you'll lose the multi-channel encoded sound. Some players only require you to turn PCM off to configure for multi-channel encoded sound. Please refer to your player's manual.
- In a setup where HDMI is used to connect your audio/video source component(s) directly to your television, you will likely need to run an additional digital optical cable between the source component and your soundbar. This extra connection will allow for multi-channel encoded audio to reach the soundbar. Many televisions that receive audio/video source materials via HDMI do not pass multi-channel encoding when the audio is passed back out of the television's digital optical outputs. Instead, televisions often pass a 2-channel mix of the sound, stripping out center, surround and subwoofer channels from the mix. This is not true for all televisions manufactured today, but we have found the many television on the market work this way.
- Audio-only sources capable of only stereo output (such a portable media player docks or CD player) will often connect directly to the soundbar via the analog input.

SUBWOOFER CONNECTION

You may choose to employ a separate subwoofer to reproduce the LFE (low frequency effects) channel information in multi-channel recordings and/or reinforce bass performance of stereo recordings. Any aftermarket home theater subwoofer can be connected via the soundbar's "LFE Out" RCA connection. We, of course, recommend using a superb

MartinLogan subwoofer.

Additionally, this soundbar integrates a built-in subwoofer wireless transmitter and includes a subwoofer wireless receiver to simplify the connection and placement of a subwoofer within your room.

No Subwoofer

For systems not using a separate subwoofer, use the soundbar's menu system and choose "Subwoofer > No Sub". This sets the soundbar to reproduce the entire frequency range when playing content.

Wired Subwoofer Connection

Using a high-quality RCA style cable designed for subwoofer connection, connect "Sub Out" from the soundbar to the "LFE In/Sub In" on the subwoofer.

Use the soundbar's menu system and choose 'Subwoofer > Wired Sub'.

Reference your subwoofer's manual to learn how to properly adjust the sub's level and phase controls to achieve proper blending with the soundbar. The subwoofer's crossover should be set to "bypass", "LFE". For subwoofers that do not have a "bypass" or "LFE" crossover setting, we recommend adjusting the crossover to its highest setting.

Wireless Subwoofer Connection

Use the soundbar's menu system and choose 'Subwoofer > Wireless Sub > Sync Subwoofer'. The soundbar will display 'Push and Hold Button'.

Press and hold the subwoofer wireless receiver's sync button. Connection is successful when the status light turns solid and the soundbar responds with 'Synced'.

Please note: If a link is not established the wireless receiver's LED will blink slowly and the soundbar will display 'Failed'. Power the soundbar on and off,

unplug the wireless receiver and plug it back in, and repeat syncing.

Reference your subwoofer's manual to learn how to properly adjust the sub's level and phase controls. The subwoofer's crossover should be set to "bypass" or "LFE". For subwoofers that do not have a "bypass" or "LFE" crossover setting, we recommend adjusting the crossover to its highest setting.

Please note: The subwoofer wireless transmitter built in to this soundbar is not compatible with MartinLogan's SWT-1 or SWT-2 subwoofer wireless technology. If your subwoofer has SWT-1 or SWT-2 technology built in you can still utilize the soundbar's wireless functionality by connecting the soundbar's subwoofer receiver to the LFE input on your subwoofer, or connecting an SWT-1 or SWT-2 transmitter to the Sub Out on the soundbar.

Please note: If you decide to no longer use wireless, turn off the soundbar's wireless transmitter by using the menu system and choosing 'Subwoofer > Wireless Subwoofer > Turn Wireless Sub Off' or 'Subwoofer > No Sub'. Doing this will turn off the transmitter and automatically set the soundbar for no sub.

WARNING! When operating wirelessly, the subwoofer may be susceptible to RF interference

in the 2.4GHz bandwidth from microwave ovens and wireless devices such as Wi-Fi systems, video game consoles, cordless telephones, Bluetooth devices, and baby monitors. Generally, this issue (intermittent sound or slight popping noises) is easily resolved by physically separating problematic devices from one another—a distance as little as two feet will often alleviate the interference. In the case of microwave ovens, the interference will only occur when the microwave is operating.

ETHERNET CONNECTION

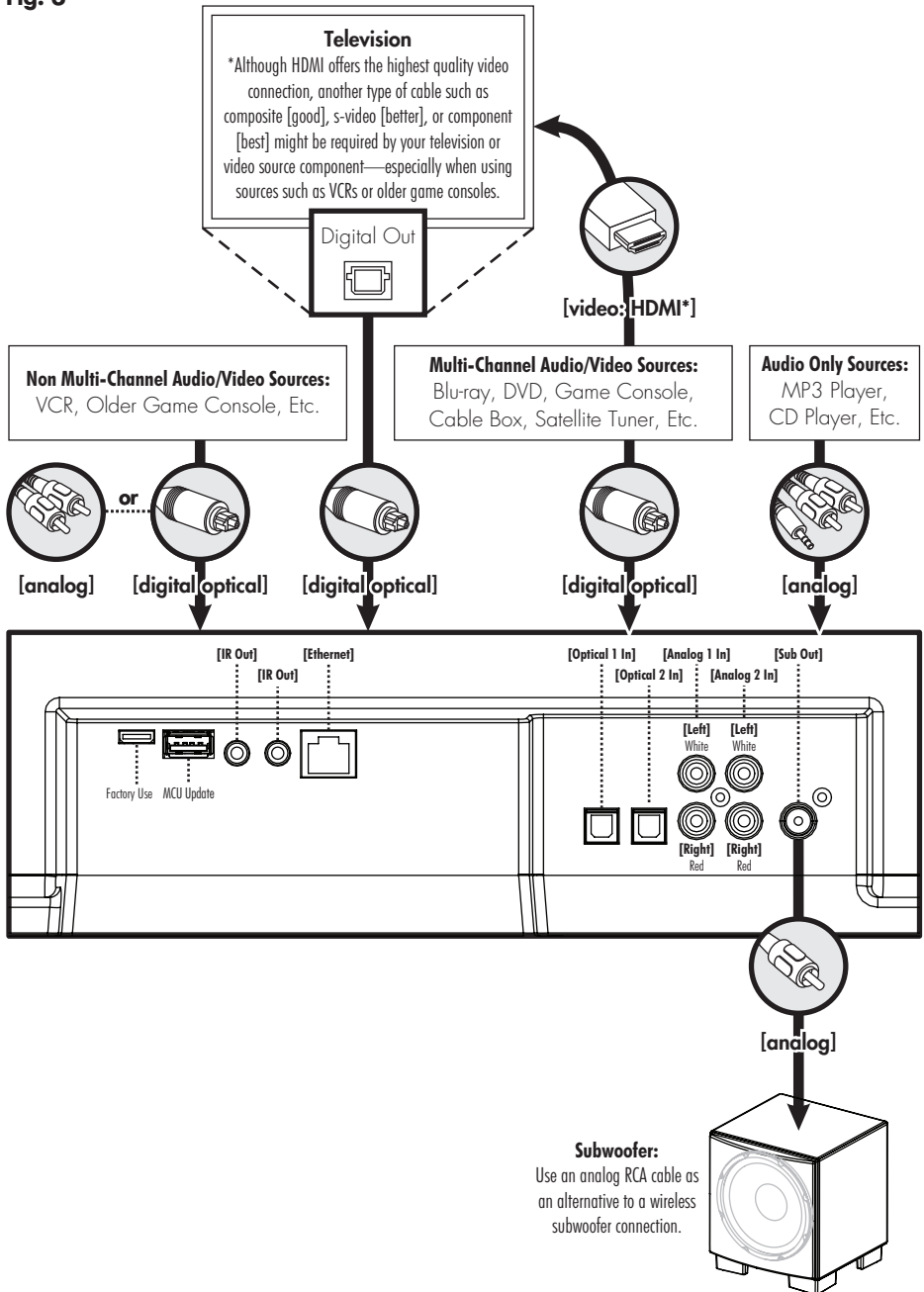
Connect your soundbar's Ethernet connection to your local area network to use ARC™ (Anthem Room Correction) or IP control.

IR OUTPUTS

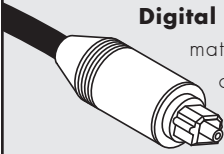
These jacks accept IR emitters with 3.5mm mono-style connectors. One IR emitter is included with the soundbar.

Plug the IR emitter into either of the soundbar's IR Out jacks and place the other end of the IR emitter over the IR sensor on another piece of equipment. The use of an IR emitter allows the soundbar to pass IR signals from any remote control to a tethered device—allowing control of equipment in locations a remote would normally not reach.

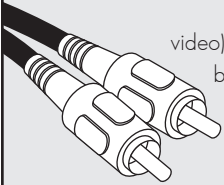
Fig. 6



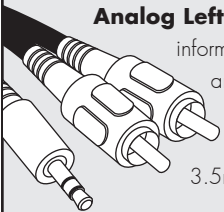
AN INTRODUCTION TO AUDIO CONNECTIONS



Digital Optical: Digital optical utilizes one cable to pass digital audio information (no video). A digital optical cable offers a high-quality digital connection and passes multi-channel encoded audio between a source component and an audio output device.



Left/Right Analog RCA: These cables are used to pass audio information (no video). An analog RCA cable can only pass a single channel of audio information between a source component and audio output device. To achieve two-channels of audio (left/right), you will find that analog RCA cables come bundled as a stereo pair (two connectors on each end). The Auxiliary input on a speaker can accept an analog stereo signal through a cable using a 3.5mm stereo "headphone style" jack. If you are connecting this speaker to a device (such as a dock or CD player) with left/right RCA analog outputs, you will need a special cable with a 3.5mm 'headphone style' jack on one end and left/right RCA jacks on the other end.



Analog Left/Right RCA to Stereo 3.5mm: Analog cables are used to pass audio information (no video). Older gaming consoles, portable media player docks, VCRs and similar source components (which are not capable of playing multi-channel encoded content) will often offer connection only through left/right analog RCA cables. To connect to these devices use a Left/Right RCA to stereo 3.5mm cable.

AN INTRODUCTION AUDIO STREAMING CONNECTIONS



Bluetooth: This wireless connection technology allows a wide variety of devices to connect to an audio output device and stream audio. Bluetooth establishes a connection directly with an audio output device and does not require either device to be connected to a LAN.

VOLUME BEHAVIOR BY INPUT

Depending on the input selected on your speaker, the volume will exhibit different behaviors.

SPEAKER INPUT	VOLUME BEHAVIOR
Digital Optical, Analog	Soundbar will control volume level for audio input from most sources.*
Bluetooth	Volume on Bluetooth device and volume on speaker are controlled separately.*

* Devices connected via auxiliary and Bluetooth may have their own volume control which functions separately from the speaker's volume. If you are connecting a device which allows you to adjust its volume separately, we recommend that the volume on the device not be set to maximum. When set to its maximum

setting, the amplifier in the external device is likely to introduce elevated levels of distortion into the audio signal which, in turn, will be further amplified by the speaker. Find a volume between 50–75% of the device's maximum volume and use your speaker's volume control to adjust the final playback volume.


CONTROL PANEL

Your soundbar features seven buttons that control the following functions:

POWER/STANDBY: Turns the soundbar on/off.

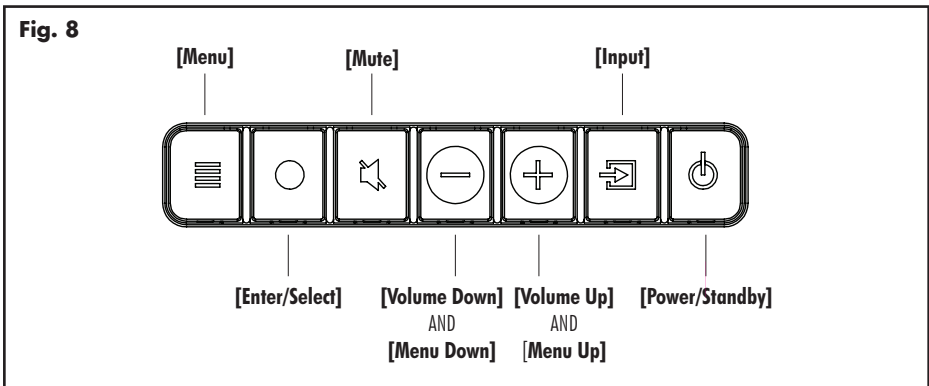
INPUT: Cycles through the inputs. The order of inputs is: Optical 1 > Optical 2 > Analog 1 > Analog 2 > Bluetooth.

VOL+ /VOL-: Adjusts volume. When the menu is activated the volume buttons will function as up/down buttons.

MUTE: Mutes the soundbar. When muted, the soundbar will display . Pressing this button a second time or pressing either volume button will restore the previous volume setting.

ENTER/SELECT: When the menu is activated the this button allows you to select a menu item.

MENU: Activates the setup menu. When the menu is activated the menu button will take you back one level, the volume buttons will function as up/down, and the Enter/Select button will allow you to select a menu item. Exit the menu by pressing the Menu button.




REMOTE CONTROL

Your soundbar remote controls these functions:

POWER: Turns the soundbar on and off.

MENU: Enters and exits the soundbar menu.

MUTE: Mutes the soundbar. When muted, the soundbar will display . Pressing this button a second time or pressing either volume button will restore the previous volume setting.

VOL+ /VOL-: Adjusts volume level.

BASS MODE - NIGHT: Reduces bass output and compresses the dynamic range.

BASS MODE - BASS+: Increases bass output.

BASS MODE - NORMAL: Restores normal levels.

INPUT: Activates the selected input.

CHANGING THE REMOTE'S BATTERY

The remote control for your speaker uses two AAA batteries. Access the battery compartment by using a Phillips screwdriver to remove the screw located on the bottom of the remote.

Caution! Danger of explosion if battery is incorrectly replaced. Replace only with the same or equivalent type.



PROGRAMMING A SECOND REMOTE

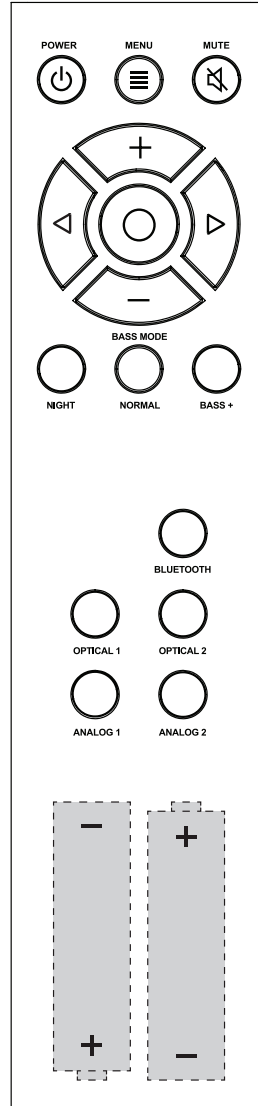
This soundbar can be programmed to respond to a second remote. See “The Menu System” section of this manual for programming instructions.

Please note: There may be remote controls that the soundbar cannot learn or that the soundbar can not learn correctly. Due to the number of available remote controls, it is impossible to advise which will or will not work.

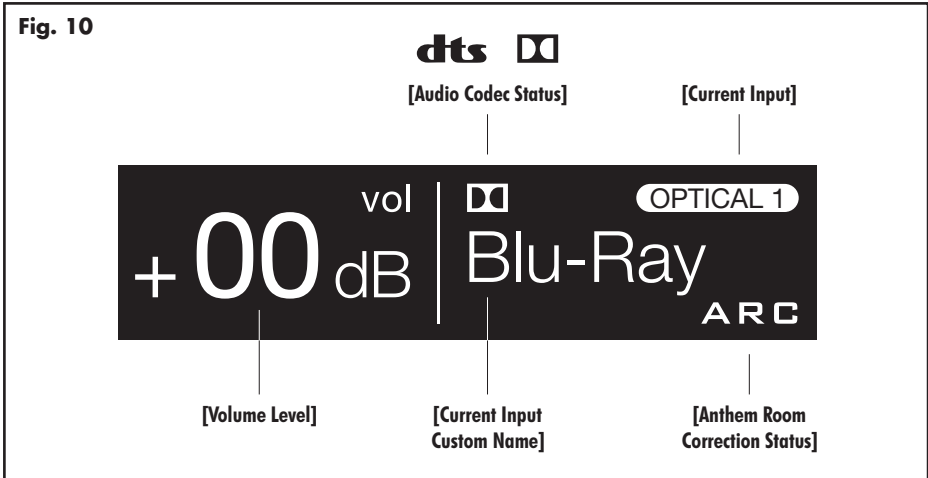
Please note: When learning from a second remote, you will likely find it does not have buttons that directly correspond with all available soundbar commands. Not all soundbar commands have to be programmed. Some remote controls offer ‘function’ buttons (F1, F2, etc.) that can be used to program unique soundbar commands such as ‘NITE.MD’ or ‘OPTIC’.

Please note: Some remote controls offer discrete ‘power on’ and ‘power off’ buttons. Some offer only a single button to toggle power on and off. The learning function of the soundbar allows you to program for either scenario.

Fig. 9



DISPLAY



Your soundbar displays the following information:

Audio Codec Status: If an audio signal with surround sound encoding is detected this icon will indicate Dolby® Digital or DTS Digital Surround™.

Volume Level: Displays the current volume level.

Current Input: This icon indicates the input that is currently active using its standard input name. This field is not customizable.

Current Input Custom Name: This indicates the input that is currently active using its custom user defined name.

Anthem Room Correction Status: This icon indicates that Anthem Room Correction is active. This icon will not display if an Anthem Room Correction has been manually turned off or an adjustment curve has not been uploaded to the soundbar. For information on setting up ARC, please refer to the "(ARC™) Anthem Room Correction" section of this manual.

THE MENU SYSTEM

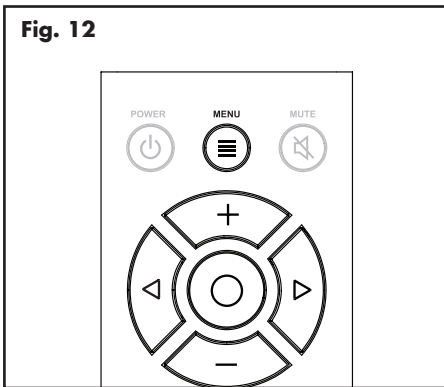
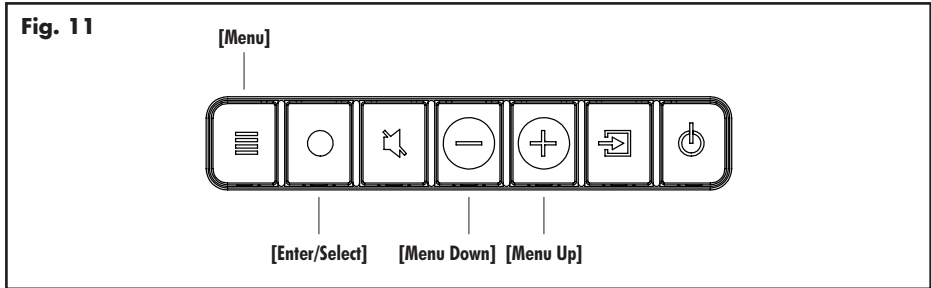
ENTERING AND EXITING THE MENU

To access the menu from the **remote**, press 'Menu'. To exit the menu from the remote, press 'Menu' again. To access the menu from the **control panel** press the menu button. To exit, press the menu button again. The menu auto exits after 30 seconds.

NAVIGATING THE MENU**

The menu is navigated using the 'up/down/left/right/enter' navigation system. **Up and Down** are used to cycle through the menu and submenu options. **Right or Enter/Select** are used to access a submenu or to select an option. With the remote, **left** is used to exit a submenu and go back one level.

THE MENU SYSTEM



to sound best in wall mount installations above a television. The direction of the display screen is also adjusted. Activate by pressing the enter button and the soundbar will respond with 'Saved'.

Installation > Wall Mount > Below TV:

This option configures the soundbar's audio output to sound best in wall mount installations below a television. The direction of the display screen is also adjusted. Activate by pressing the enter button and the soundbar will respond with 'Saved'.

MENU OPTION: INSTALLATION

Installation: Enter the submenu by pressing the enter button.

Installation > Shelf Mount: This option configures the soundbar's audio output to sound best in shelf mount installations. The direction of the display screen is also adjusted. Activate by pressing the enter button and the soundbar will respond with 'Saved'.

Installation > Wall Mount: Enter the submenu by pressing the enter button. The settings in this menu will adjust the soundbar for wall mount installation above or below a television.

Installation > Wall Mount > Above TV: This option configures the soundbar's audio output

MENU OPTION: SUBWOOFER

Subwoofer: Enter the submenu by pressing the enter button. Here you may configure external subwoofer integration. *Please note:* When integrating an external subwoofer, you must choose either a wireless connection or a wired connection. Your soundbar does not simultaneously output via both connections. The soundbar can connect to only one wireless subwoofer. However, it is possible to connect multiple wired subwoofers if you utilize a 'Y' splitter attached to the subwoofer cable, or if your subwoofer offers an output designed to daisy chain multiple subs.

Subwoofer > No Sub: This option configures the soundbar to handle all bass information and will not output information via the subs wired or wireless

subwoofer connections. Activate by pressing the enter button and the soundbar will respond with 'Saved'.

Subwoofer > Wired Sub: This option configures the soundbar to use an external subwoofer connected via a cable to the soundbar's Sub Out RCA connection. Activate by pressing the enter button and the soundbar will respond with 'Saved'. With this option, the wireless sub transmitter is turned off. Reference your subwoofer's manual to learn how to properly adjust the sub's level and phase controls to achieve proper blending with the soundbar. The subwoofer's crossover should be set to "bypass" or "LFE". For subwoofers that do not have a "bypass" or "LFE" crossover setting, we recommend adjusting the crossover to its highest setting.

Subwoofer > Wireless Sub: Enter the submenu by pressing the enter button. Here you can sync the soundbar to the subwoofer wireless receiver (included with your soundbar). Reference your subwoofer's manual to learn how to properly adjust the sub's level and phase controls to achieve proper blending with the soundbar. The subwoofer's crossover should be set to "bypass" or "LFE". For subwoofers that do not have a "bypass" or "LFE" crossover setting, we recommend adjusting the crossover to its highest setting.

Subwoofer > Wireless Subwoofer > Sync Subwoofer: This option connects the soundbar to the Subwoofer Wireless Receiver. Start syncing by pressing the enter button. The soundbar will display 'Push and Hold Button'.

Press and hold the subwoofer wireless receiver's sync button. Connection is successful when the status light turns solid and the soundbar responds with 'Synced'.

Subwoofer > Wireless Sub > Turn Wireless Sub Off: This option configures the soundbar to handle all bass information and, when selected, will not output information via the wired or wireless subwoofer connections. Activate by pressing the enter button and the soundbar will respond with 'Off'. Activating this option performs the same function as 'Subwoofer > No Sub'.

MENU OPTION: BASS LEVEL

Bass Level: Enter the submenu by pressing the enter button. Here you can configure bass output by ± 10 dB in increments of 2dB.

Bass Level > -10dB to +10dB: Using the up/down directional buttons, choose the desired bass level (from -10dB to +10dB). Bass level output will be automatically set to match the value currently displayed.

AN OVERVIEW OF THE MENU STRUCTURE**

Installation [select installation location]

- ↳ **Shelf Mount [select when set on a flat surface]
- ↳ Wall Mount [select when mounted to a wall]
 - ↳ Above TV [select when mounted to a wall, above a TV]
 - ↳ Below TV [select when mounted to a wall, below a TV]

Subwoofer [select subwoofer configuration]

- ↳ **No Sub [select when not using a subwoofer]
- ↳ Wired Sub [select when attaching a sub via a cable]
- ↳ Wireless Sub [configure a wireless subwoofer]
 - ↳ Sync Subwoofer [sync wireless sub receiver]
- ↳ Turn Wireless Sub Off [deactivate wireless sub transmitter]

Bass Level [adjust bass level in 2dB increments]

- ↳ +10dB through -10dB [*default = 0dB]

Surrounds [configure surround options for 5.1-channel sources]

- ↳ Off [turns off simulated surrounds]
- ↳ *On [use simulated surrounds at normal level]
- ↳ *+6dB [increases level of simulated surrounds +6dB]

Stereo Mode [configure options for 2-channel stereo sources]

- ↳ Wide [creates a wider stereo image]
- ↳ *Voice+ [simulates a center channel for stereo sources]
- ↳ *Normal [use original stereo signal]

Bass Mode [select EQ listening mode for bass]

AN OVERVIEW OF THE MENU STRUCTURE (CONTINUED)

- †Bass+ [sets bass EQ mode for enhanced bass]
- *Normal [returns bass EQ to normal levels]
- Night [sets bass EQ mode for reduced bass]

Display [select display mode]

- †Bright [use display at full brightness at all times]
- Dim [use dimmed display at all times]
- *Auto Bright [full brightness, display turns off automatically]
- Auto Dim [dimmed display, display turns off automatically]

Anthem Room Correction [configure Anthem Room Correction]

- *†On [turns Anthem Room Correction on, if loaded]
- Off [turns Anthem Room Correction off]

Power Settings [configure power settings]

- Power Standby [configure standby behavior]
 - ↳ *†Auto Standby [soundbar turns itself on and off as needed]
 - ↳ Always On [the soundbar is always powered on]
- Power-On Volume [set default volume for power on]
 - ↳ Set
 - ↳ Max through -90dB [*†default = -35dB]
 - ↳ Last Used [volume at power on is equal to previous level]
- IP Control [configure IP control]
 - ↳ Off [turns IP Control off]
 - ↳ *†On [turns IP Control on]
- Standby IP [configure standby IP control]
 - ↳ *†Off [turns Standby IP off]
 - ↳ On [turns Standby IP on, disabled if IP Control is off]

Wireless Setup [setup wireless network connections]

- ↳ Bluetooth Pairing [prepares soundbar for Bluetooth connection]

Learn Remote [learn remote codes for second remote control]

- Volume +
- Volume -
- Mute
- Next Input
- Previous Input
- Up
- Down
- Left
- Right
- Enter
- Bass Mode: Night
- Bass Mode: Normal

- Bass Mode: Bass+
- Stereo Mode: Wide
- Stereo Mode, Voice+
- Stereo Mode: Normal
- Power Toggle
- Power On
- Power Off
- Menu
- Input: Bluetooth
- Input: Optical 1
- Input: Optical 2
- Input: Analog 1
- Input: Analog 2
- ARC On
- ARC Off
- ↳ Reset Remote [clear codes for second remote]
 - ↳ No [exits without clearing codes for second remote]
 - ↳ Yes [clears codes for second remote]

Source Name [assign custom names to inputs]

- ↳ Optical 1
- ↳ Optical 2
- ↳ Analog 1
- ↳ Analog 2

Service [advanced controls]

- Firmware [display firmware versions]
 - ↳ MCU [display soundbar firmware version]
 - ↳ DSP [display DSP firmware version]
 - ↳ IA3S4 [display wireless subwoofer firmware version]
 - ↳ TC390 [display Tact button firmware version]
 - ↳ IP Address [display IP address of soundbar]
 - ↳ MAC MCU [display MAC address of soundbar MCU]
- Factory Reset [reset soundbar to original factory settings]
 - ↳ At Home [factory defaults for home use]
 - ↳ No [exits without resetting]
 - ↳ Yes [resets to factory defaults]
 - ↳ In Store [factory defaults for in-store use]
 - ↳ No [exits without resetting]
 - ↳ Yes [resets to factory defaults]

*HOME: Factory default setting, home use.

†STORE: Factory default setting, retail store use.

MENU OPTION: SURROUNDS

Surrounds: Enter the submenu by pressing the enter button. This menu allows you to turn simulated surround channels on or off when the soundbar detects a multi-channel source.

Surrounds > Off: This option configures the soundbar (when it detects 5.1-channel encoded content) to down-mix to 3.1-channel output (left/center/right channels + subwoofer) and does not utilize simulated surround channels. All content originally intended for the surround channels is routed to the left/center/right channels. Activate by pressing the enter button and the soundbar will respond with 'Saved'.

Surrounds > On: This option configures the soundbar (when it detects 5.1-channel encoded content) to fully reproduce all 5.1-channels of information including simulated surround channels. Activate by pressing the enter button and the soundbar will respond with 'Saved'.

Surrounds > +6dB: This option configures the soundbar (when it detects 5.1-channel encoded content) to fully reproduce all 5.1-channels of information including simulated surround channels with 6dB of extra output. Activate by pressing the enter button and the soundbar will respond with 'Saved'.

MENU OPTION: STEREO MODE

Stereo Mode: Enter the submenu by pressing the enter button. Here, you may set how the soundbar reproduces audio from 2-channel (stereo) sources.

Stereo Mode > Wide: This option configures the soundbar to create a wider stereo image. Activate by pressing the enter button, and the soundbar will respond with 'Saved'.

Stereo Mode > Voice+: This option configures the

soundbar to reproduce the left and right channels with a simulated center channel. Activate by pressing the enter button and the soundbar will respond with 'Saved'.

Stereo Mode > Normal: This option configures the soundbar to reproduce the content using only the left and right channels. Activate by pressing the enter button and the soundbar will respond with 'Saved'.

MENU OPTION: BASS MODE

Bass Mode: Enter the submenu by pressing the enter button. Here you may adjust the bass equalization of the soundbar. These options can also be activated directly from the soundbar's remote control.

Bass Mode > Bass+: This mode enhances bass output. Activate by pressing the enter button and the soundbar will respond with 'Saved'.

Bass Mode > Normal: This mode returns the bass to normal levels. Activate by pressing the enter button and the soundbar will respond with 'Saved'.

Bass Mode > Night: This mode decreases bass output. Activate by pressing the enter button and the soundbar will respond with 'Saved'.

MENU OPTION: DISPLAY

Display: Enter the submenu by pressing the enter button. The settings in this menu allow you to adjust the brightness of the display and configure the display to automatically turn on and off.

Display > Bright: This option configures the soundbar's display to be on at full brightness when the soundbar is on. Activate by pressing the enter button and the soundbar will respond with 'Saved'.

Display > Dim: This option configures the

soundbar's display to be on at a reduced brightness when the soundbar is on. Activate by pressing the enter button and the soundbar will respond with 'Saved'.

Display > Auto Bright: This option configures the soundbar's display to be on at full brightness when a setting (such as volume or input) is changed. After a few seconds, the display will turn off. Activate by pressing the enter button and the soundbar will respond with 'Saved'.

Display > Auto Dim: This option configures the soundbar's display to be on at a reduced brightness when a setting (such as volume or input) is changed. After a few seconds the display will turn off. Activate by pressing the enter button and the soundbar will respond with 'Saved'.

MENU: ANTHEM ROOM CORRECTION

Anthem Room Correction: Enter the submenu by pressing the enter button. Here you may turn Anthem Room Correction on and off. Using proprietary processes, a microphone, and the power of your PC, the ARC system analyzes your soundbar's in-room sound, then computes the required correction to yield optimal performance within your acoustic environment.

Anthem Room Correction > Off or On: This option turns the Anthem Room Correction feature on or off. Activate by pressing the enter button and the soundbar will respond with 'Saved'. Please note, turning ARC on and off only makes a difference if ARC corrections have not been loaded on the soundbar.

MENU OPTION: POWER SETTINGS

Power Settings: Enter the submenu by press-

ing the enter button. Here you may adjust how the soundbar's power options.

Power Settings > Power Standby: Enter the submenu by pressing the enter button. Here you choose whether the subwoofer is always on or turns itself on and off automatically.

Power Settings > Power Standby > Auto Standby: This option configures the soundbar to turn itself off after no audio signal is detected for approximately 20 minutes. When the soundbar detects an audio signal, it will immediately turn itself on. Activate by pressing the enter button and the soundbar will respond with 'Saved'. *Please note:* When set to Auto Standby, if the soundbar is manually turned off (using the power button on the control panel or remote control), the soundbar will not respond to an incoming audio signal and will not turn on automatically. In this situation, turn the soundbar on using the power button on the control panel or remote control and the soundbar will resume automatic power handling.

Power Settings > Power Standby > Always On: This option configures the soundbar to remain on at all times until it is manually turned off using the power button on the control panel or remote control. Activate by pressing the enter button and the soundbar will respond with 'Saved'.

Power Settings > Power-On Volume: Enter the submenu by pressing the enter button. Here you can configure the default volume of the soundbar when it powers on or comes out of standby.

Power Settings > Power-On Volume > Set: Enter the submenu by pressing the enter button. Here you choose set the power-on volume.

Power Settings > Power-On Volume > Set > -90dB to +10dB: Using the up/down

directional buttons, choose the desired volume level. Once set the soundbar will always be set to this level when it powers on or comes out of standby. The default level is -35dB.

Power Settings > Power-On Volume >

Last Used: When Power Standby is set to "Last Used", the soundbar will power on or come out of standby at a volume level matching the volume setting when it was powered off or went into standby.

Power Settings > IP Control: Enter the submenu by pressing the enter button. Here you can turn IP Control off or on. IP Control allows the soundbar to respond to incoming IP commands from networked home control systems connected via Ethernet.

Power Settings > IP Control > Off or On: This option turns the IP Control feature off or on. Activate by pressing the enter button and the soundbar will respond with 'Saved'.

Power Settings > Standby IP: Enter the submenu by pressing the enter button. Here you can turn Standby IP off or on. This allows you to configure how the soundbar responds to incoming IP commands when it is in standby mode.

Power Settings > Standby IP > Off or On: This option turns the Standby IP feature off or on. Activate by pressing the enter button and the soundbar will respond with 'Saved'. When this setting is set to "Off" the soundbar will not respond to incoming IP command when it is powered off or in standby mode. If IP Control set to Off, Standby IP is disabled.

MENU OPTION: WIRELESS SETUP

Wireless Setup: Enter the submenu by pressing the enter button.

Wireless Setup > Bluetooth Pairing: Activate by pressing the enter button. The soundbar

will respond with 'Pairing Mode On'. The soundbar will remain in pairing mode for 5 minutes. Use your source device's Bluetooth setup menu to setup a Bluetooth connection.

MENU OPTION: LEARN REMOTE

Please note: There may be remotes that the soundbar cannot learn or that the soundbar can not learn correctly. Due to the number of available remotes, it is impossible to advise which remotes will or will not work.

Please note: When learning from a second remote, you will likely find it does not have buttons that directly correspond with all available soundbar commands. Not all commands have to be programmed. Some remotes offer 'function' buttons (F1, F2, etc.) that can be used to program unique soundbar commands such as 'Bass Mode: Night' or 'Input: Optical 1'.

Please note: Some remote controls offer discrete 'power on' and 'power off' buttons. Some offer a single button to toggle power on and off. The learning function of the soundbar allows you to program either scenario.

Learn Remote: Enter the submenu by pressing the enter button. The settings in this menu program the soundbar to respond to a second remote control. The factory supplied remote control will always work with the soundbar, even if the soundbar is programmed to respond to a second remote.

If you attempt to program a remote code from a second that is already programmed the soundbar will respond with "Failed".

Using the up/down directional buttons, you can select and program the following commands:

- Volume +
- Volume -
- Mute

- Next Input
- Previous Input
- Up
- Down
- Left
- Right
- Enter
- Bass Mode: Night
- Bass Mode: Normal
- Bass Mode: Bass+
- Stereo Mode: Wide
- Stereo Mode: Voice+
- Stereo Mode: Normal
- Power Toggle
- Power On
- Power Off
- Menu
- Input: Bluetooth
- Input: Optical 1
- Input: Optical 2
- Input: Analog 1
- Input: Analog 2
- ARC On [Anthem Room Correction On]
- ARC Off [Anthem Room Correction Off]

Choose the command you want to program and press the enter button. The soundbar will respond with 'Push Button'. Hold the second remote approximately 12 inches (30cm) from the soundbar and press the appropriate button **four times**. If the new command is learned successfully, the soundbar's display will display "Saved". If the new command is not learned, the soundbar will display "Failed". Repeat the process if learning fails.

Learn Remote > Reset Remote: Enter the submenu by pressing the enter button. Resetting will clear programming for the second remote. The Reset function requires confirmation.

Learn Remote > Reset Remote > No: Activate by pressing the enter button. Choosing this option will exit without erasing the remote programming.

Learn Remote > Reset Remote > Yes:

Activate by pressing the enter button. The soundbar will respond with 'Resetting'. After codes are reset, there is no way to recover the previous settings.

MENU OPTION: SOURCE NAME

Source Name: Enter the submenu by pressing the enter button. The settings in this menu will allow you to assign new names to display on the soundbar when changing inputs. For example, you can program the 'Optical 1' input to display 'DVD'.

Using the up/down directional buttons, you can select and program the following input names:

- Optical 1
- Optical 2
- Analog 1
- Analog 2

Choose the input name you want to reprogram and press the enter button. The soundbar display will display the current name. Pressing the up/down directional buttons will cycle through the available alpha-numeric characters. Pressing the left/right directional buttons will move to the next/previous space. To finish programming an input name, use the left/right buttons to move all the way to the left or right.

MENU OPTION: SERVICE

Service: Enter the submenu by pressing the enter button.
Service > Firmware: Enter this submenu by pressing the enter button.

Service > Firmware > MCU: Pressing the enter button will display the current firmware version for the soundbar MCU (microcontroller unit).

Service > Firmware > DSP: Pressing the enter button will display the current firmware version for the soundbar's DSP module.

Service > Firmware > IA354: Pressing the enter button will display the current firmware version for the soundbar's Wireless subwoofer module.

Service > Firmware > TC390: Pressing the enter button will display the current firmware version for the soundbar's Tact button module.

Service > Firmware > IP Address: Pressing the enter button will display the current IP Address for the soundbar.

Service > Firmware > MAC MCU: Pressing the enter button will display the current firmware version for the mac address of the soundbar's MCU.

Service > Factory Reset: Enter the submenu by pressing the enter button. This restores all settings to factory defaults settings and erases all user-configured presets, Anthem Room Correction data, and Wi-Fi settings. This function requires confirmation to reduce risk of performing an accidental reset.

Service > Factory Reset > At Home: Enter the submenu by pressing the enter button.

Service > Factory Reset > At Home > No: Activate by pressing the enter button. Choosing this option will exit without performing a reset.

Service > Factory Reset > At Home > Yes: Activate by pressing the enter button. The soundbar will respond with 'Resetting'. Once complete, your soundbar will be reset to factory default Home settings. After a reset has been performed, there is no way to recover the previous settings.

Service > Factory Reset > In Store Enter the submenu by pressing the enter button.

Service > Factory Reset > In Store > No: Activate by pressing the enter button. Choosing this option will exit without performing a reset.

Service > Factory Reset > In Store > Yes: Activate by pressing the enter button. The soundbar will respond with 'Resetting'. Once complete, your soundbar will be reset to factory default Home settings. After a reset has been performed, there is no way to recover the previous settings.

SURROUND SOUND DECODING

DIGITAL INPUTS (DIGITAL OPTICAL)

This soundbar is capable of detecting and automatically decoding multi-channel audio formats, such as those found on DVD and Blu-ray movies.

When utilizing a digital connection, the soundbar can process the following formats: Dolby® Digital, DTS Digital Surround™, and digital stereo.



ANALOG INPUT

Digitally encoded sound information cannot be transmitted to an analog input. This connection method is adequate for most devices that only offer two channels of output (such as VCRs, CD players, older game consoles, or portable media player docks). Although most surround sound capable devices, such as DVD and Blu-ray players, offer both analog and digital connections, the digital connection should always be employed. If a source device is connected via an analog left/right RCA connection, the 5.1-channel encoded audio content will not be sent to the soundbar.

UPDATES AND REBOOTING

REBOOTING YOUR SOUNDBAR

To completely reboot your soundbar, disconnect the power cord, wait 30 seconds, and plug it back in. Press the power button to turn the soundbar on. This reboot will cycle the power off and on and force the soundbar to reconnect to your network.

SOUNDBAR FIRMWARE UPDATE

Your soundbar MCU may occasionally require firmware updates. Please check www.martinlogan.com for the latest firmware updates.

ARC™ (ANTHEM ROOM CORRECTION)

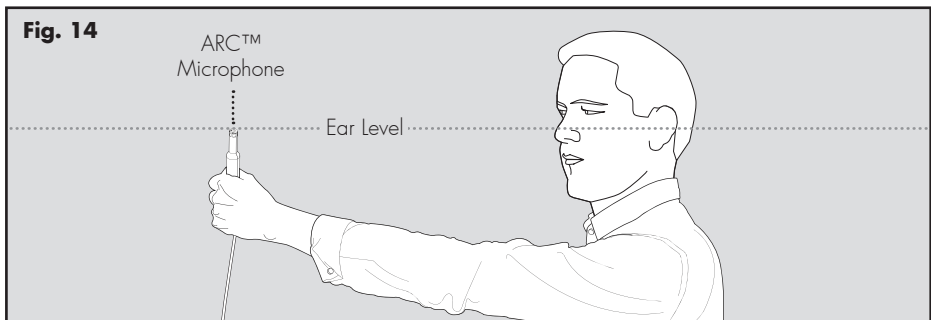
Even when the finest speakers are perfectly positioned, the room itself still has a dramatic impact on any system's sound, an impact more profound than that of any individual component. Various solutions have fallen in and out of favor over the years, but none has solved the problem of "the room." Until ARC.

Using proprietary processes and the power of your PC, the ARC system analyzes each speaker's in-room sound, then computes the required correction to yield optimal performance from every speaker. It's a process that takes approximately 15 minutes. Anthem's approach is a true audiophile solution to the problems of the room.

IMPORTANT! The listening space must be silent. A noisy computer fan, a dishwasher or microwave running, etc. can negatively affect ARC's measurements.

How to Use ARC Technology:

1. Ensure that your soundbar is already connected to your home network and is powered on.
2. Make sure the soundbar's Power Settings > IP Control is set to "On".
3. Download the latest Window's version of ARC-2 software from www.anthemav.com or "Anthem ARC Mobile" from the iTunes App Store and install it. Follow the on-screen instructions.
4. **Window's only:** Using the USB cable, connect the ARC microphone to a Windows PC. The USB cable and ARC microphone are provided with your soundbar.
5. Look for the icon and launch the ARC program. Follow the prompts on your screen to



successfully run the ARC™ software; the entire process should take approximately 15 minutes.

6. Hold the ARC microphone with your arm fully extended, the ARC microphone tip must point towards the ceiling and it must be positioned at ear level.

7. For best results, hold the microphone in 5 positions around the room.

TIP! Once the ARC process is complete, the audio will be played back reflecting these corrections. To turn ARC correction on and off, use the menu and navigate to 'Anthem Room Correction'.

GENERAL INFORMATION

WARRANTY INFORMATION

Your soundbar is provided with an automatic Limited 90 Day Warranty coverage. You have the option, at no additional charge, to receive a Limited 2 Year Warranty coverage. For your convenience, MartinLogan offers online warranty registration at www.martinlogan.com.

MartinLogan may not honor warranty service claims unless we have a completed Warranty Registration card on file! If you did not receive a Certificate of Registration with your new soundbar, you cannot be assured of having received new units. If this is the case, please contact your authorized MartinLogan dealer.

SERVICE

Should you use your MartinLogan product in a country other than the one in which it was originally purchased, we ask that you note the following:

- 1 The appointed MartinLogan distributor for any

given country is responsible for warranty servicing only on units distributed by or through it in that country in accordance with its applicable warranty.

- 2 Should a MartinLogan product require servicing in a country other than the one in which it was originally purchased, the end user may seek to have repairs performed by the nearest MartinLogan distributor, subject to that distributor's local servicing policies, but all cost of repairs (parts, labor, transportation) must be borne by the owner of the MartinLogan product.

- 3 If, after owning your speaker for six months, you relocate to a country other than the one in which you purchased your speaker, your warranty may be transferable. Contact MartinLogan for details.

SERIAL NUMBER

The serial number is located on back of the soundbar, near the connection panel. The serial number may also be found on the product carton.

CONTACTING CUSTOMER SERVICE

MartinLogan customer service is available Monday–Friday between the hours of 8am–5pm (central time) by calling (785) 749-0133 or by emailing service@martinlogan.com.

FREQUENTLY ASKED QUESTIONS

Can my soundbar be used as a dedicated center channel?

No. The soundbar is designed to work as a 2-channel stereo or multi-channel surround sound playback device.

Why is my soundbar not reproducing multi-channel (surround sound) audio?

This could be caused by any number of things. Review the “Connection” section of this manual for a better understanding of recommended connection methods and possible options that might impact the soundbar’s ability to receive multi-channel encoded audio from your television and other audio/video source components.

Will this soundbar decode Dolby® TrueHD or DTS-HD Master Audio™?

No. This soundbar will not decode Dolby TrueHD or DTS-HD Master Audio™. If your audio source (most likely a Blu-ray player) supports either of these formats, you should configure it to default to the Dolby Digital or DTS Digital Surround™ encoded sound track.

How do I connect the soundbar if my television does not have digital optical outputs?

If your television has analog outputs these can be used instead. For a digital connection connect the digital audio output of your cable box (or DVD, Blu-ray, game console, etc.) directly to the soundbar using a digital optical cable. A direct digital connection with a source component is always ideal.

How do I clean my soundbar?

Use a dust free cloth (such as a micro fiber cloth) or a soft brush to remove dust from your speakers.

Do not spray any kind of cleaning agent on or in close proximity to the drivers.

Can I use other cables other than those provided with the soundbar?

Cables included with the soundbar are intended to get you started. You may find it necessary to augment your system with additional cables or replace the included cables with cables of different length.

Can I mount this soundbar on the wall with a mounting bracket that pivots?

MartinLogan does not provide a pivoting wall-bracket for this soundbar. Aftermarket options may exist, but we can not recommend or guarantee a specific brand or model.

Could you suggest a list of suitable electronics and cables ideal for MartinLogan speakers?

We have no favorites and use electronics and cables quite interchangeably. We would suggest trying a number of brands—and above all else—trust your ears. Dealers are always the best source for information when purchasing additional audio equipment.

Is there likely to be any interaction between my speakers and the television in my A/V system?

Yes, but only with CRT televisions. This soundbar is not magnetically shielded and should be kept at least 2 feet away from a CRT television. LCD and plasma televisions will not be affected.

How can I remove the grille cloth from the soundbar?

The soundbar grille cover is not removable.

TROUBLESHOOTING

Soundbar does not turn on.

- Check that the soundbar's AC power cord is firmly attached to the AC Power In input and plugged into a working AC outlet.

No output from the soundbar

- Check that the soundbar is turned on.
- Check that the soundbar is not muted.
- Check that the soundbar's volume is not turned all the way down.
- Check that the soundbar is set to the proper input.
- Check that all system components are turned on and source material is playing.
- Turn the soundbar off and on using the remote control or the control power button.
- Unplug the sound bar, wait 30 seconds, and plug it back in.
- Check that all interconnecting cables are connected at both ends.
- If necessary, try connecting an alternate source component to make sure the original source component isn't the problem.

No surround sound

- Review the "Connection" section of this manual for a better understanding of recommended connection methods and possible options that might impact the soundbar's ability to receive multi-channel encoded audio from your television and other audio/video source components.

Sound is coming from both my soundbar and my television

- When utilizing the soundbar to reproduce audio, the television's audio output should be defeated. Some televisions will allow you to turn off the internal speaker via the television's menu system. Other televisions may require you to turn the television's volume to "zero" or to "mute" the television.

The soundbar is too quiet even when the soundbar is turned up

- Check that the output on your television or other source components are not connected via a variable level output. Sometimes this option may be configured in your source components menu. Please refer the manual for the source component in question.

Soundbar won't learn remote codes from aftermarket remote

- Review the "Menu Option: Learn" section of this manual.
- Hold the remote 12 inches (30 cm) from the soundbar during the learning process.
- Press the appropriate button on the second remote four times.
- If the soundbar has already learned a remote code and you are attempting to program the same code to a second function the soundbar will respond with "Fail".
- There may be remote controls that the soundbar cannot learn or that the soundbar can not learn correctly. Due to the number of available remote controls, it is impossible to advise which will or will not work.
- Check the user manual and/or manufacturer's web-site for your aftermarket remote to see if MartinLogan is supported. If so, instead of 'learning' with the soundbar, use the code provided by the manufacturer to program the aftermarket remote itself.

Soundbar remote won't work

- Replace the remote control's batteries with matching batteries.
- Make sure the batteries are installed in the proper orientation.
- If new batteries do not fix the problem, you may have a faulty remote. Call MartinLogan customer service at 785-749-0133 for details.

When using an aftermarket remote, the soundbar turns off when the television turns on

- Turn the television on. Manually press the Power button on the soundbar so that both the soundbar and television are both on at the same time.

No sound coming from external sub

- Check that the external sub is turned on.
- Check that the soundbar is configured for a wired or wireless subwoofer connection. Refer to the "Subwoofer Connection" section of this manual.
- If utilizing a wired connection, check that the subwoofer cables are attached to the Sub Out connection on the soundbar and to the appropriate input on the subwoofer.
- If utilizing a wireless connection, attempt to re-sync the wireless connection. Refer to the "Subwoofer Connection" section of this manual. If a sync attempt has failed, you may need to power down both the soundbar and subwoofer wireless receiver before trying to re-sync.
- If utilizing a wireless connection, move the subwoofer closer to the soundbar.
- Turn the soundbar off and on using the remote control or control panel power button.
- Unplug the sound bar, wait 30 seconds, and plug it back in.

External sub is too quiet

- Turn up the volume on the subwoofer.
- Adjust the bass level setting in the soundbar menu system.
- Try moving the subwoofer to a different location in the listening room.

My soundbar is not behaving as expected.

- Turn the soundbar off and on using the remote control or control panel power button.
- Unplug the sound bar, wait 30 seconds, and plug it back in.

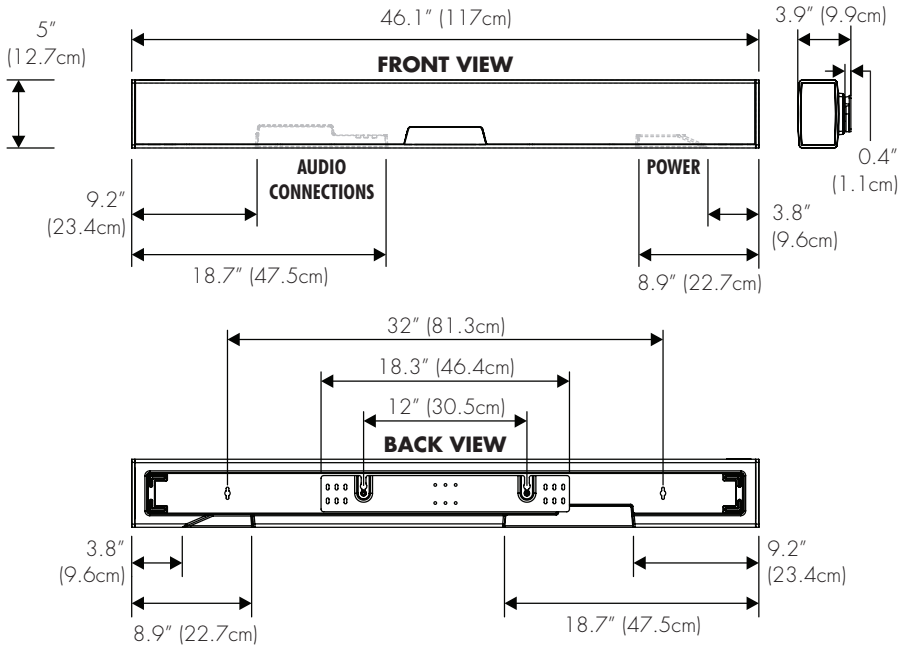
SPECIFICATIONS*

Frequency Response	65–20,000 Hz (± 2 dB 1/3 octave smoothing on channel axis)
Amplifier Power	135 Watts (270 Watts peak) combined total output across 9 amplifiers.
Full-Range Frequency Drivers	Nine 2.5" (6.4cm) high excursion composite cone. Non-resonant asymmetrical chamber format.
Cabinet	Sealed
Components	DSP based preamplifier.
Decoding	Dolby® Digital, DTS Digital Surround™
Inputs	Optical SPDIF (digital optical), (2x) Analog stereo RCA, Bluetooth,
Outputs	(1x) Subwoofer Out via analog RCA, IR repeater
Wireless Input	Bluetooth
Wireless Subwoofer Output	Built-in SWT-SB Subwoofer Wireless Transmitter
AC Adaptor (SWT-SB Receiver)	(ICP12-090-0500D : Shenzhen Shi Ying Yuan Electronics Co.,Ltd,China) Input: AC 100–240V, 50/60Hz Output: DC 9V, 0.5A
Power Draw	Max: 180 Watts, Standby: <0.5 Watts
Remote Battery	(2x) AAA
Weight	12.7 lbs. (5.4 kg)
Dimensions (HxWxD), Table Mount	3.5" x 46.1" x 5" (8.9cm x 117cm x 12.7cm)
Dimensions (HxWxD), Wall Mount	5" x 46.1" x 3.9" (12.7cm x 117cm x 9.9cm)

*Specifications are subject to change without notice.

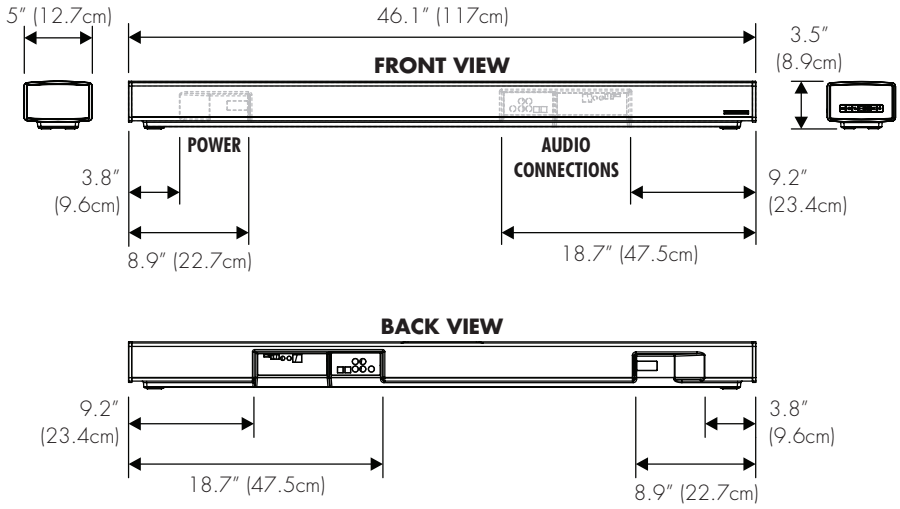
DIMENSIONAL DRAWINGS

WALL MOUNT CONFIGURATION



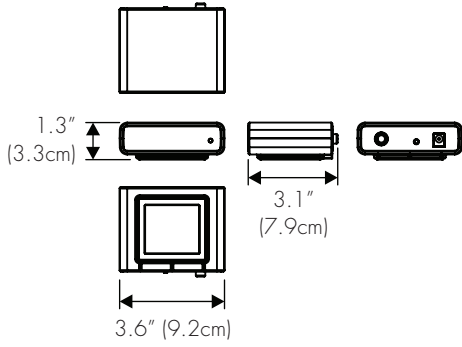
DIMENSIONAL DRAWINGS

TABLE MOUNT CONFIGURATION



DIMENSIONAL DRAWINGS

SUBWOOFER WIRELESS RECEIVER



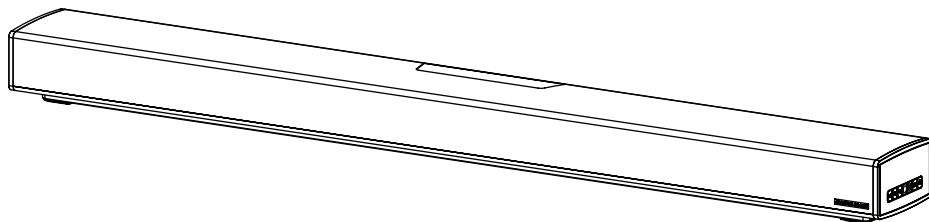
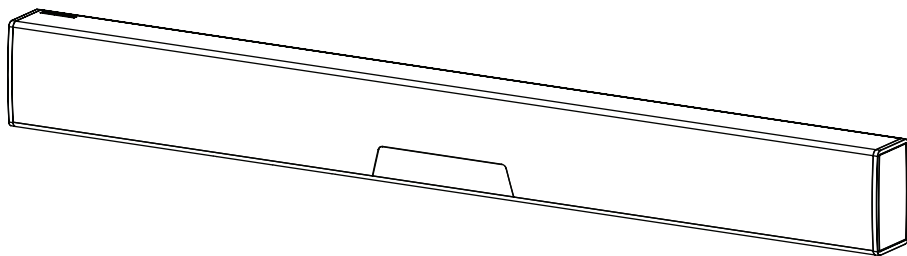
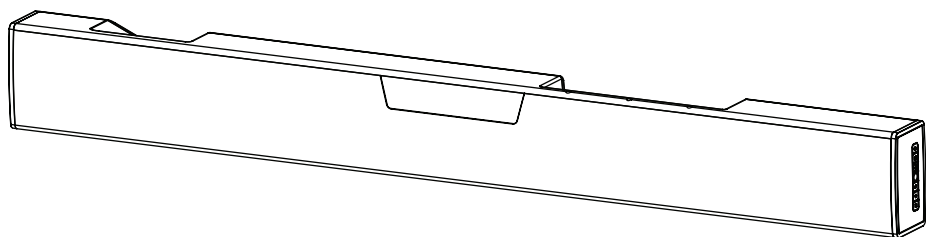


Lawrence, Kansas, USA tel 785.749.0133 fax 785.749.5320 www.martinlogan.com

©2018 MartinLogan Ltd. All rights reserved.

Verse™

Manuel de l'utilisateur





Ne pas ouvrir! Risque de choc électrique. Les tensions de cet équipement sont potentiellement mortelles. Aucune pièce réparable par l'utilisateur à l'intérieur. L'entretien doit être fait par un technicien compétent. Pour éviter les risques d'incendie ou de choc, ne pas exposer ce module à l'humidité.



Le symbole de l'éclair avec une pointe en forme de flèche, dans un triangle équilatéral, avertit l'utilisateur de la présence d'une « tension dangereuse » potentielle près du produit qui peut être suffisante pour constituer un risque de décharge électrique.



Le point d'exclamation dans un triangle équilatéral avertit l'utilisateur de la présence de directives importantes en matière de fonctionnement et d'entretien (service) dans les documents qui accompagnent l'appareil.

VERSE

Testé pour être conforme aux normes FCC
POUR UNE UTILISATION À LA MAISON OU AU BUREAU

CONSIGNES DE SÉCURITÉ IMPORTANTES

- 1 Lisez les consignes.
- 2 Conservez les consignes.
- 3 Tenez compte de toutes les mises en garde.
- 4 Suivez les consignes.
- 5 N'utilisez pas cet appareil près de l'eau.
- 6 Nettoyez uniquement avec un linge sec.
- 7 Ne bloquez pas les ouvertures de ventilation. Installez conformément aux instructions du fabricant.
- 8 N'installez pas le produit près des sources de chaleur, telles que les radiateurs, les registres de chaleur, les poêles ou les autres appareils qui produisent de la chaleur (y compris les amplificateurs).
- 9 N'outrepassiez pas la caractéristique de sécurité de la fiche polarisée ou de type polarisé. Une fiche polarisée a deux lames dont une est plus large que l'autre. Une fiche de type polarisé a deux lames et une troisième qui agit à titre de broche de masse. La lame large ou la broche de masse sont fournies pour votre sécurité. Si la fiche fournie n'entre pas dans la prise murale, consultez un électricien pour qu'il remplace la prise obsolète.
- 10 Protégez le cordon d'alimentation pour qu'il ne soit pas piétiné ou écrasé par des articles placés

ou appuyés sur ceux-ci, en prêtant particulièrement attention à la fiche des cordons, aux réceptacles d'utilité et à l'endroit où ils sortent de l'appareil.



- 11 Utilisez uniquement les pièces ou les accessoires recommandés par le fabricant.
- 12 Utilisez uniquement avec le chariot, le pied, le trépied, le support ou la table recommandé par le fabricant ou vendu avec l'appareil. Lorsque vous utilisez un chariot, faites attention lorsque vous déplacez le chariot/appareil pour éviter de vous blesser s'il bascule.
- 13 Débranchez l'appareil lors des orages électriques ou lorsque vous ne l'utilisez pas pendant une longue période.
- 14 Faites effectuer toutes les réparations par un technicien compétent. Des réparations sont nécessaires lorsque l'appareil a été endommagé de quelque façon que ce soit, par exemple, lorsque le cordon d'alimentation est endommagé, que du liquide ou des objets sont tombés dans l'appareil, que l'appareil a été exposé à la pluie ou à l'humidité, qu'il ne fonctionne pas normalement ou qu'il est tombé sur le sol.
15. Pour débrancher complètement cet appareil des sources principales, débranchez le cordon d'alimentation du réceptacle.
- 16 La prise principale du cordon d'alimentation doit être facilement accessible.
- 17 **MISE EN GARDE** : risque d'explosion si la pile n'est pas placée correctement. Remplacez la pile uniquement avec le même type de pile ou un type équivalent (AAA). Jetez les piles épuisées conformément aux lois locales.
- 18 Pour éviter les surchauffes, ne couvrez pas l'appareil. Installez l'appareil conformément aux instructions du fabricant.
- 19 Aucune flamme nue, comme une chandelle, ne doit être placée sur l'appareil.
- 20 N'exposez pas cet appareil aux gouttes et aux éclaboussures et assurez-vous qu'aucun objet contenant des liquides, tel qu'un vase, n'est placé sur l'appareil.
- 21 Les piles (bloc-piles ou piles installées) ne doivent pas être exposées à une chaleur excessive comme les rayons du soleil, un feu ou quelque chose de semblable.
- 22 Pour les appareils montés sur un mur, l'appareil doit être installé sur du bois solide, des briques, du béton ou des colonnes et des lattes en bois solides.
- 23 **NE surchargez PAS** les prises murales ou les rallonges électriques au-delà de leur capacité nominale, car cela peut causer un choc électrique ou un incendie.
- 24 Respectez les distances minimales autour de l'appareil pour assurer une ventilation suffisante.
- 25 La ventilation ne doit pas être bloquée en couvrant les ouvertures de ventilation avec des articles comme des journaux, des linges de table, des rideaux, etc.
- 26 N'ingérez pas la pile, risque de brûlure chimique.
- 27 Gardez les piles nouvelles et usagées hors de la portée des enfants.
- 28 Si le compartiment à piles ne se ferme pas bien, cessez d'utiliser le produit et gardez-le hors de la portée des enfants.
- 29 Si vous pensez que les piles ont été avalées ou placées à l'intérieur d'une partie du corps, consultez immédiatement un médecin.
- 30 Les piles (pile, piles ou bloc-pile) ne doivent pas être exposées à une chaleur excessive comme les rayons du soleil, un feu ou quelque chose de semblable.

- 31 Risque de fuite. Utilisez uniquement les piles du type indiqué. Ne mélangez jamais de nouvelles piles avec des piles usagées. Respectez la bonne polarité. Enlevez les piles des produits qui ne sont pas utilisés pendant une longue période. Rangez les piles dans un endroit sec.
- 32 Ne rechargez pas les piles non rechargeables.
- 33 Évitez l'exposition à la chaleur ou au froid extrême.
- 34 Cet équipement est un appareil électrique de Classe II ou à double isolation. Il a été conçu de façon à ne pas nécessiter de branchement électrique de sécurité (mise à la terre).
- 35 Risque d'explosion si la pile n'est pas bien remplacée. Remplacez-la uniquement avec le même type de pile ou un type équivalent.
- 36 (La télécommande fournie avec) ce produit contient une pile AAA. Si la pile AAA est avalée, elle peut causer des brûlures internes graves en seulement 2 heures et peut causer le décès de la personne.
- 37 Ne manipulez pas des piles AAA qui fuient ou qui sont endommagées.
- 38 **CE PRODUIT CONTIENT UNE PILE AAA. S'IL EST MAL UTILISÉ OU MAL MANIPULÉ, IL PEUT CAUSER :**
- Un risque de fumée ou de gaz
 - Un risque de chaleur
 - Un risque d'incendie
 - Un risque d'explosion



- Réorienter l'antenne de réception ou la changer de place.
- Augmenter la distance entre l'équipement et le récepteur.
- Raccorder l'équipement à une prise située sur un autre circuit que celui sur lequel le récepteur est raccordé.
- Consulter le revendeur ou un technicien radio/TV compétent pour obtenir de l'aide.

Approuvé en vertu de la disposition de vérification de la Section 15 de la FCC à titre d'appareil numérique de classe B.

Les changements ou modifications non expressément approuvés par le concessionnaire de cet appareil peuvent priver l'utilisateur du droit d'utiliser l'équipement en question.

MISE EN GARDE SUR L'EXPOSITION RF : Cet équipement est conforme aux limites d'exposition aux radiations de la FCC/IC pour un environnement non contrôlé et respecte les normes d'exposition aux radiofréquences (RF) de la FCC indiquées dans le Supplément C à OET65 et à RSS-102 des règles d'exposition aux radiofréquences (RF) de l'IC. Cet équipement a des niveaux très bas d'énergie RF qui sont réputés conformes sans test du débit d'absorption spécifique (DAS).

2. MISE EN GARDE

- Pour être conforme aux exigences de conformité en matière d'exposition aux RF de la FCC, une distance de séparation d'au moins 20 cm doit être maintenue entre ce produit et toutes les personnes.
- Ce produit et son antenne ne doivent pas être installés au même endroit ou utilisés conjointement avec une autre antenne ou un autre transmetteur.
- Ce transmetteur ne doit pas être installé au même endroit qu'une autre antenne ou un autre transmetteur ou utilisé conjointement avec une autre antenne ou un autre transmetteur.
- Cet appareil respecte toutes les autres exigences indiquées dans la Partie 15E, Section 15.407 des règles de la FCC.

MISE EN GARDE : cet appareil est conçu pour fonctionner UNIQUEMENT avec les tensions CA indiquées sur le panneau arrière ou avec l'alimentation électrique incluse avec l'appareil. Le fonctionnement à partir de tensions autres que celles indiquées sur l'appareil pourrait causer des dommages irréversibles au produit et annuler la garantie. L'utilisation d'adaptateur de prise CA doit faire l'objet d'une attention particulière, car elle peut faire en sorte que l'appareil soit branché à des tensions pour lesquelles il n'a pas été conçu. Si l'appareil est doté d'un cordon d'alimentation détachable, utilisez uniquement le type de cordon fourni avec l'appareil ou par votre distributeur ou revendeur local. Si vous n'êtes pas certain de la tension d'utilisation appropriée, veuillez communiquer avec votre distributeur ou revendeur local.

Cet appareil est conforme à la Partie 15 du règlement FCC. Son utilisation est assujettie aux deux conditions suivantes : (1) cet appareil ne doit pas provoquer d'interférences nuisibles, et (2) cet appareil doit supporter les interférences reçues, y compris celles susceptibles de nuire à son bon fonctionnement.

ÉNONCÉ SUR LES INTERFÉRENCES DE LA FEDERAL COMMUNICATIONS

COMMISSION : Cet équipement a été testé et jugé conforme aux limites d'un appareil numérique de Classe B, en vertu de la Section 15 du règlement de la FCC. Ces limites sont conçues pour offrir une protection jugée raisonnable contre l'interférence nuisible dans une installation résidentielle. Cet équipement génère, utilise et peut émettre une énergie radiofréquence et, s'il n'est pas installé et utilisé conformément aux instructions, peut causer une interférence nuisible aux radiocommunications. Cependant, il n'y a aucune garantie de non-apparition d'interférence dans une installation particulière. Si cet équipement cause une interférence nuisible à la réception radiophonique ou télévisuelle, qu'on peut déterminer en ouvrant et en fermant l'équipement, l'utilisateur est invité à essayer de corriger l'interférence à l'aide de l'une ou de plusieurs des mesures suivantes :

COMPRED ID FCC : MBBDMRS4

Cet appareil est conforme à la Partie 15 du règlement FCC. Son utilisation est assujettie aux deux conditions suivantes : (1) cet appareil ne doit pas provoquer d'interférences nuisibles, et (2) cet appareil doit supporter les interférences reçues, y compris celles susceptibles de nuire à son bon fonctionnement.

MartinLogan, Ltd.

2101 Delaware, Lawrence, KS

NUMÉRO DE MODÈLE : VERSE

ID FCC : MBBVVERSE

Information IC (pour les clients canadiens)

NUMÉRO DE MODÈLE : VERSE

NO IC : 11657A-VERSE

1. CONTIENT IC : 11657A-DMRS4

Cet appareil numérique de classe B est conforme aux normes canadiennes CAN ICES-3(B)/NMB-3(B).

Le fonctionnement est sujet aux deux conditions suivantes : (1) cet appareil ne doit pas provoquer d'interférences nuisibles, et (2) cet appareil doit supporter les interférences reçues, y compris celles susceptibles de nuire à son bon fonctionnement.

2. MISE EN GARDE

Pour éviter que les interférences radio éventuelles affectent d'autres utilisateurs, le type d'antenne et son gain doivent être choisis afin que la puissance isotrope rayonnée équivalente (p.i.r.e.) ne soit pas supérieure aux limites permises pour une communication réussie.

Ce dispositif respecte les limites de l'IC sur l'exposition aux radiations établies pour un environnement non contrôlé. Cet équipement doit être installé et mis en fonctionnement à une distance minimale de 20 cm de l'appareil et de votre corps.

CE : Par les présentes, MartinLogan Ltd., déclare que ce produit VERSE est conforme aux exigences essentielles et aux autres dispositions pertinentes de :

1995/5/EC – R&TTE

2014/30/EU – EMC

2014/35/EC – LVD

2011/65/EU – ROHS2



AVIS WEE

Remarque : cette marque s'applique uniquement aux pays de l'Union européenne (UE) et à la Norvège.

En vertu de la directive WEEE de l'Union européenne (directive sur les déchets électriques et électroniques) 2002/96/EC entrée en vigueur le 13 août 2005, nous vous avisons que ce produit pourrait renfermer des matériaux réglementés dont l'élimination doit faire l'objet de procédures de réutilisation et de recyclage particulières, selon la directive WEEE. À cette fin, MartinLogan a demandé à ses distributeurs dans les pays membres de l'Union européenne de reprendre et recycler ce produit gratuitement. Pour trouver le distributeur le plus près, veuillez communiquer avec le revendeur auprès de qui vous avez acheté ce produit, envoyer un courriel à info@martinlogan.com ou consulter le localisateur de distributeur sur le site Web www.martinlogan.com.

Veuillez noter que seul le produit est régi par la directive WEEE. Nous vous encourageons à recycler les matériaux d'emballage et autres matériaux d'expédition selon les procédures normales.



AVERTISSEMENT/MISE EN GARDE!

- Tensions dangereuses à l'intérieur – ne pas retirer le couvercle.
 - Les réparations doivent être effectuées par un technicien compétent.
 - Pour éviter les risques d'incendie ou de choc, ne pas exposer ce module à l'humidité.
 - Débrancher l'enceinte en cas de situations anormales.
 - Éteindre l'enceinte avant de faire ou de défaire des raccords de signal!
 - Le cordon d'alimentation ne doit pas être installé, enlevé ou laissé détaché de l'enceinte lorsque l'autre extrémité est raccordée à une source d'alimentation CA.
 - Aucune chandelle ou autre source de flamme nue ne doit être placée sur l'enceinte.
 - Aucun liquide, dans un verre ou un vase, ne doit être placé sur l'enceinte.
 - L'enceinte ne doit pas être exposée à des écoulements ou à des éclaboussures de liquide.
 - Les bornes marquées d'un symbole d'éclair doivent être raccordées par une personne compétente ou par des bornes déjà raccordées.
 - Le cordon d'alimentation doit rester facilement accessible en cas de conditions anormales.
 - Les changements ou modifications non expressément approuvés par le concessionnaire de cet appareil peuvent priver l'utilisateur du droit d'utiliser l'équipement en question.
- device could void the user's authority to operate the equipment.

Pour les brevets DTS, voir <http://patents.dts.com>. Fabriqué sous licence de DTS Licensing Limited. DTS, le symbole, DTS combiné au symbole et DTS Digital Surround sont des marques de commerce déposées ou des marques de commerce de DTS, Inc. aux États-Unis et/ou dans les autres pays. © DTS, Inc. Tous droits réservés.

Qualcomm aptX est le produit de Qualcomm Technologies International, Ltd. Qualcomm est une marque déposée enregistrée de Qualcomm Incorporated, enregistrées aux États-Unis et dans d'autres pays, utilisées avec autorisation. aptX est une marque déposée enregistrée de Qualcomm Technologies International, Ltd., enregistrées aux États-Unis et dans d'autres pays, utilisées avec autorisation.

Fabriqué sous licence de Dolby Laboratories. Dolby, Dolby Audio et le symbole de D double sont des marques de commerce de Dolby Laboratories.

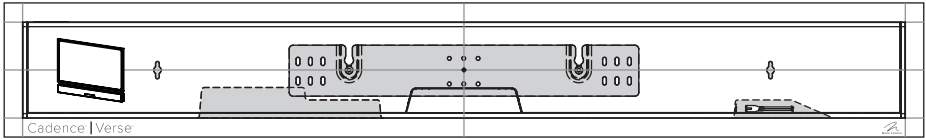
Le mot servant de marque Bluetooth^{MD} et les logos sont des marques de commerce déposées possédées par Bluetooth SIG, Inc. et toute utilisation de ces marques par MartinLogan, Ltd. est autorisée par licence.

Les autres marques de commerce et noms commerciaux sont la propriété de leur propriétaire respectif.

Introduction et aperçu	46	Surrounds (ambiophoniques)	62
Positionnement et montage	46	Stereo mode (mode stéréo)	62
Emplacement	46	Bass mode (mode graves)	63
Installation sur une surface plate	46	Display (affichage)	63
Installation sur un mur	46	Anthem room correction	63
Raccordement	49	Power settings (paramètres d'alimentation)	63
Raccordement de l'alimentation	49	Wireless setup (configuration sans fil)	65
Raccordement du signal	50	Learn remote (Apprentissage télécommande)	65
Raccordement d'un caisson de sous-graves	51	Source name (nom de la source)	66
Connexion Ethernet	52	Service	66
Sorties IR	52	Décodage du son ambiophonique	67
Présentation des câbles audio	54	Entrées numériques (optique)	67
Comportement du volume par entrée	55	Entrée analogique	67
Panneau de commande	56	Mises à jour et redémarrage	68
Télécommande	56	Redémarrage de la barre de son	68
Changer la pile de la télécommande	57	Mise à jour du micrologiciel de la barre de son	68
Programmation d'une deuxième télécommande	57	ARC™ (Anthem Room Correction)	68
Affichage	58	Renseignements généraux	69
Le système de menu	58	Renseignements sur la garantie	69
Entrer et sortir du menu	58	Service	69
Naviguer dans le menu	58	Numéro de série	69
Option du menu	59	Communiquer avec le service à la clientèle	69
Installation	59	Foire aux questions	70
Caisson de sous-graves	59	Dépannage	71
Un aperçu de la structure du menu	60	Spécifications	73
Option du menu (suite)		Dessins dimensionnels	74
Bass level (niveau des graves)	62		

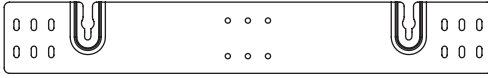
Numéro de série : _____

Veillez noter votre numéro de série ici pour le retrouver facilement. Vous aurez besoin de ce numéro lorsque vous remplirez l'inscription à la garantie. Le numéro de série se trouve sur la partie arrière de la barre de son et sur le carton d'emballage.

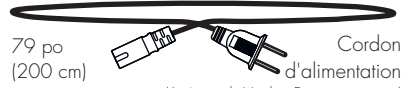


Cadence |Verse

Gabarit d'installation pour montage au mur



Support mural



79 po
(200 cm)

Cordon
d'alimentation
(Amérique du Nord ou Europe uniquement)



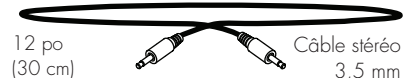
79 po
(200 cm)

Câble USB
pour l'ARC



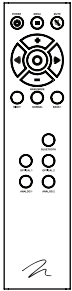
96 po
(244 cm)

Émetteur IR

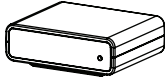


12 po
(30 cm)

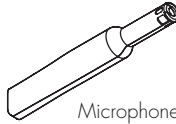
Câble stéréo
3,5 mm
pour ARC



Télécommande



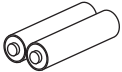
Récepteur du caisson
de sous-graves



Microphone
étaloné ARC^{MC}



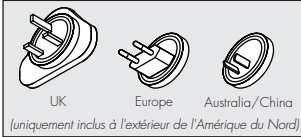
Adaptateur
d'alimentation du récepteur
du caisson de sous-graves



Piles AAA



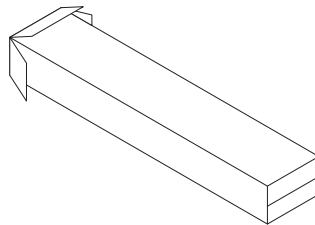
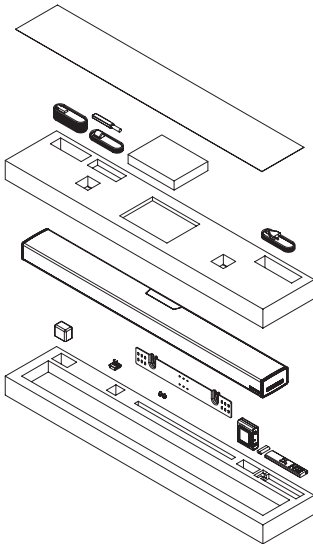
(Amérique du
Nord uniquement)



UK Europe Australia/China
(uniquement inclus à l'extérieur de l'Amérique du Nord)



Boulons à
épaulement



INTRODUCTION ET APERÇU

Merci à vous, propriétaire d'un produit MartinLogan, d'aimer ce que nous faisons, et de faire en sorte que nous puissions faire ce que nous aimons.

L'équipe de génie et de conception dévouée de MartinLogan a développé la barre de son Verse afin d'offrir un rendement multicanaux exceptionnel à partir d'un seul système qui s'intègre et s'installe facilement dans divers environnements – que ce soit sur une table ou sur un mur. La barre de son Verse produit un champ enveloppant de sons richement détaillés pour la musique et les films.

La technologie de traitement du signal numérique perfectionnée permet à MartinLogan de remplacer cinq enceintes dédiées de cinéma maison par une solution en une pièce capable de reproduire les enregistrements à canaux multiples sans rien perdre de la précision, de la résolution et des détails – l'inspiration derrière chaque produit MartinLogan. Le modèle Verse reproduit les canaux avant gauche, droit et central grâce aux haut-parleurs d'aigus et de graves dédiés du système. Les canaux ambiophoniques sont simulés à l'aide d'un traitement de signal numérique perfec-

tionné qui dirige le son provenant des haut-parleurs d'aigus et de graves dans l'ensemble de la pièce.

De plus, pour obtenir une expérience sonore ambiophonique authentique, le transmetteur sans fil du caisson de sous-graves intégré et le récepteur sans fil du caisson de sous-graves du Verse permettent de raccorder un caisson de sous-graves dédié aussi simplement que d'appuyer sur un bouton.

Anthem^{MD} Room Correction (ARC) vous permet d'analyser la réponse acoustique de votre milieu d'écoute et d'ajuster la sortie de la barre de son pour un rendement optimal.

La télécommande simple ajuste rapidement le volume et permet de choisir les entrées. La télécommande permet également de basculer rapidement entre les trois modes acoustiques distincts —mode « Night » (nuit) (pour diminuer les graves), mode « Bass + » (graves +) (pour les moments où vous avez besoin d'un peu plus de tonnerre) et mode « normal » qui restaure les niveaux normaux.

POSITIONNEMENT ET MONTAGE

EMPLACEMENT

Nous recommandons de centrer la barre de son directement sous ou au-dessus de votre ensemble vidéo. Le menu de la barre de son vous permet d'optimiser le rendement acoustique pour les installations sur un mur ou sur une étagère. La section « commandes » de ce manuel vous en apprendra davantage sur ce sujet.

Lorsque vous utilisez cette configuration pour installer le système, utilisez le système de menu de la barre de son pour choisir « Installation > Shelf Mount (montage sur une étagère) ».

Veillez noter : Cette enceinte n'est pas dotée d'une protection magnétique; ainsi, elle ne doit pas être placée directement en-dessous ou au-dessus d'une télévision à tube cathodique (CRT). Le champ magnétique n'aura aucun effet sur les télévisions de style plasma ou LCD.

INSTALLATION SUR UNE SURFACE PLATE

Si vous avez une surface qui offre une plateforme large, au niveau et stable (comme une table ou un support vidéo/audio), vous pouvez placer la barre de son directement sur celle-ci.

INSTALLATION SUR UN MUR

La barre de son peut être montée au-dessus ou en-dessous d'une télévision avec l'affichage de rétroaction et les panneaux de connexion arrière orientés vers le bas ou

le haut de la barre de son (en fonction de vos exigences d'installation particulières). L'information est montrée sur l'affichage de la barre de son et celui-ci peut être retourné pour correspondre à l'orientation de votre installation.

Remarque : Ces instructions supposent que la surface de montage est un cadre en bois standard et une feuille de gyproc. Si vous souhaitez utiliser un autre type de surface, consultez un entrepreneur compétent. **Remarque :** Lorsque vous utilisez cette configuration pour installer le système, utilisez le système de menu de la barre de son pour choisir «Installation > Wall Mount (montage sur un mur) ».

Matériel requis (compris) :

- (1) Gabarit d'installation
- (1) Support mural

Outils requis (non compris) :

- Détecteur de montant
- Niveau
- Perceuse électrique et trépan
- Tournevis Phillips

Matériel requis (non compris) :

MISE EN GARDE! Nous vous recommandons fortement de positionner le support mural de façon à ce qu'au moins une vis soit fixée dans un montant. **MISE EN GARDE!** Pour éviter les blessures, cet appareil doit être fixé au sol/mur de façon sécuritaire, conformément aux instructions d'installation.



- (5) Vis appropriées pour la surface de montage
- (5) Ancrages à gyproc (correspondants à la taille des vis)

- 1 Déterminez l'emplacement de montage à l'aide d'un niveau et du gabarit d'installation (fig. 1).
- 2 Indiquez l'emplacement des trois trous de guidage centraux et enlevez le gabarit d'installation (fig. 1).
- 3 À l'aide d'un détecteur de montant, déterminez si un montant du mur se trouve directement derrière l'un des trois emplacements de vis centraux (fig. 2a).

Si vous ne trouvez pas de montant : utilisez l'emplacement de vis le plus au centre et percez un trou de guidage pour l'ancrage mural. Installez un

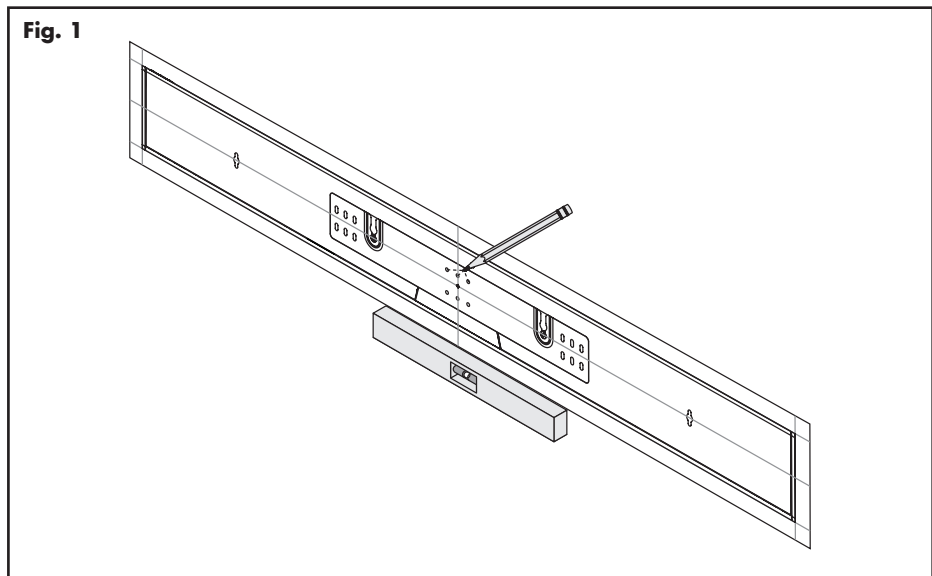


Fig. 1

ancrage mural à cet endroit. **Si vous trouvez un montant du mur** : percez un trou de guidage dans le montant.

- 4 À l'aide d'une vis, fixez le support mural au mur. NE serrez PAS (fig. 2b).
- 5 À l'aide d'un détecteur de montant, déterminez si un montant du mur se trouve directement derrière les autres emplacements de vis (fig. 2a). **Si vous ne trouvez pas de montant** : utilisez les emplacements de vis supérieur et inférieur les plus au centre. **Si vous trouvez un montant du mur** : utilisez les emplacements de vis supérieur et inférieur derrière lesquels se trouve un montant.

Utilisez un niveau pour bien cadrer le support mural et indiquez les emplacements des autres trous de guidage (fig. 2b).

- 6 Enlevez le support mural ou faites-le pivoter pour avoir accès aux autres emplacements de vis (fig. 2b). **Si vous ne trouvez pas de montant** : percez les trous de guidage et installez des ancrages muraux. **Si vous trouvez un montant du mur** : percez les trous de guidage dans le montant.
- 7 À l'aide de vis, fixez le support mural au mur. NE serrez PAS entièrement.
- 8 Utilisez un niveau pour cadrer le support mural. Serrez toutes les vis (fig. 2b).
- 9 Fixez les câbles audio et d'alimentation, le cas échéant. Consultez la section « Raccordement » de ce manuel.
- 10 Mettez la barre de son à sa place et laissez tomber les vis à épaulement dans les trous piriformes du support mural. Avant de relâcher, assurez-vous que la barre de son est bien fixée dans les trous piriformes et qu'elle est bien soutenue (fig. 3)

Fig. 2a

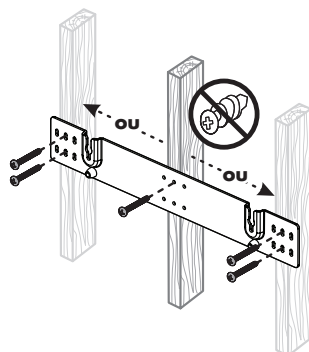


Fig. 2b

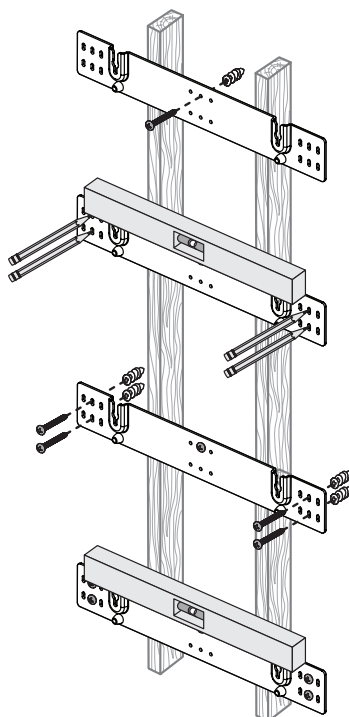
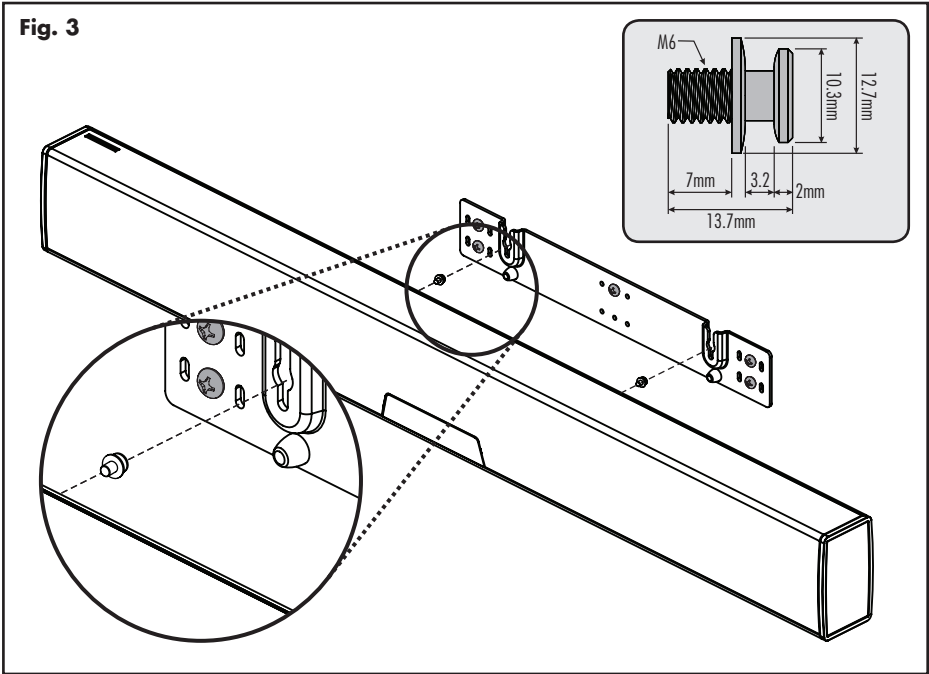


Fig. 3



RACCORDEMENT

MISE EN GARDE! Éteignez la barre de son avant de faire ou de défaire des raccords de signal! **MISE EN**

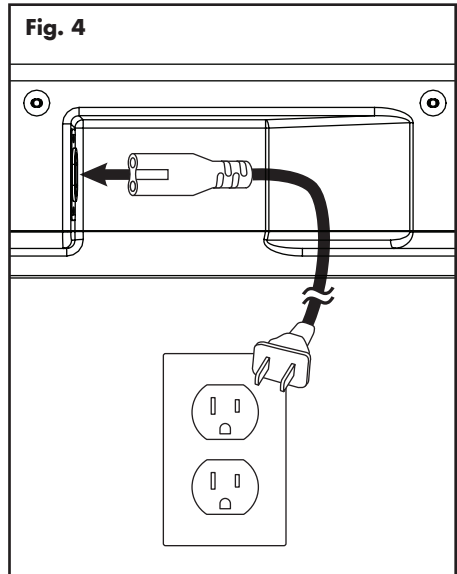


GARDE! Le cordon d'alimentation ne doit pas être installé, enlevé ou laissé détaché de la barre de son lorsque l'autre extrémité est raccordée à une source d'alimentation CA.

RACCORDEMENT DE L'ALIMENTATION

Le cordon d'alimentation doit être inséré fermement dans la prise CA du panneau de raccordement arrière de la barre de son, puis l'autre extrémité doit être insérée dans une prise murale CA appropriée. La barre de son est également dotée d'un capteur de signal d'alimentation électrique qui passe automatiquement en mode veille si aucun signal n'est capté pendant 20 minutes (cela se produira uniquement lorsque le paramètre d'alimentation du menu est réglé à Auto Standby « Veille Auto »).

Fig. 4



Si la barre de son est utilisée dans un pays autre que celui où elle a été achetée, assurez-vous que l'alimentation CA de ce pays est appropriée avant de raccorder et d'utiliser la barre de son. Si la barre de son est utilisée avec une source d'alimentation CA inappropriée, son rendement peut être grandement diminué et des dommages graves peuvent survenir.

Veillez noter : si votre barre de son est utilisée dans une installation sur un mur, il est conseillé d'utiliser les adaptateurs RCA à 90°.

Lorsque vous raccordez votre système, de nombreuses configurations sont possibles, et ces méthodes varieront en fonction des préférences de l'utilisateur.

RACCORDEMENT DU SIGNAL

Lorsque vous utilisez la barre de son pour reproduire l'audio, la sortie audio de la télévision doit être désactivée. Certaines télévisions vous permettent d'éteindre l'enceinte interne en passant par le système de menu de la télévision. Pour d'autres modèles de télévision, vous devez régler le volume de la télévision à zéro ou à « sourdine » (mute).

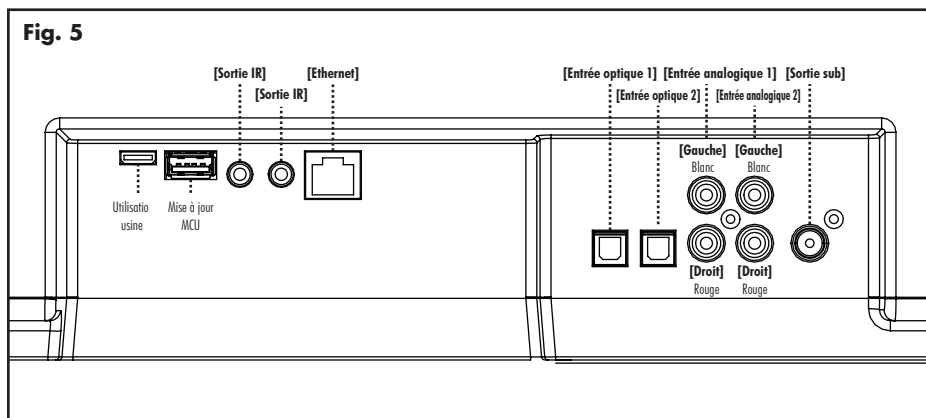
De plus, si vous raccordez la sortie audio de votre télévision à l'aide d'une connexion optique numérique ou coaxiale numérique, votre télévision peut exiger que vous allumiez la sortie optique numérique ou coaxiale numérique ou que vous configurez la sortie pour le son ambiphonique 5.1. Veuillez consulter le manuel de la télévision.

Les raccordements sont effectués dans la section entrée de signal située sur le panneau électronique arrière de la barre de son. Votre barre de son comporte les entrées suivantes :

- 2 x entrées optiques numériques (audio seulement)
- 2 x entrées analogiques gauche/droite (Left/Right) (RCA) (audio uniquement)

Certains utilisateurs choisiront d'acheminer toutes les sources (comme lecteur DVD, boîte de câble, console de jeu, lecteur média, etc.) à leur télévision par l'entremise d'une connexion HDMI ou numérique (optique) et utiliseront leur télévision pour basculer entre les sources vidéo/audio. L'avantage de cette méthode de connexion est qu'un seul câble optique numérique audio doit être raccordé entre la télévision et la barre de son – et qu'en changeant l'entrée sur votre télévision, vous changerez le signal audio envoyé à la barre de son (sans avoir à changer le paramètre d'entrée sur la barre de son elle-même). *Veillez noter : de nombreuses télévisions ne peuvent pas transmettre les signaux audio encodés à canaux multiples et sous-mélangeront ces signaux en un mélange stéréo à deux canaux avant de l'envoyer à la sortie HDMI ou numérique de la télévision.*

Selon le nombre de sources, la télévision peut être utilisée pour basculer de certaines sources tandis que les appareils sources principaux peuvent être directement raccordés à la barre de son pour un son à canaux multiples garanti.



Voici quelques points importants à ne pas oublier lorsque vous raccordez votre barre de son :

- Les connexions optiques numériques offrent la meilleure fidélité audio lorsque vous raccordez la barre de son.
- Si votre barre de son ne produit pas de son ou de son ambiophonique à partir de votre lecteur Blu-ray, lecteur DVD, ou autre source audio à canaux multiples, vous pourriez devoir régler la sortie audio numérique du lecteur à « Bitstream » (également appelé « Raw », « Direct Digital », ou « High Bit Rate »). Si « PCM » est choisi, vous perdrez le son à canaux multiples encodé. Certains lecteurs nécessitent seulement que vous éteigniez le PCM pour configurer le son à canaux multiples encodé. Veuillez consulter le manuel du lecteur.
- Dans une configuration où le HDMI est utilisé pour raccorder la ou les composantes sources audio/vidéo directement à la télévision, vous devrez probablement passer un autre câble optique numérique de la composante source à la barre de son. Cette connexion supplémentaire permettra au son encodé à canaux multiples d'atteindre la barre de son. De nombreuses télévisions qui reçoivent le matériel audio/vidéo source par HDMI ne passent pas l'encodage à canaux multiples lorsque l'audio est repassé par les sorties optiques numériques ou coaxiales numériques des télévisions. Souvent, les télévisions passent plutôt un mélange à 2 canaux du son, en enlevant les canaux central, ambiophonique et de sous-graves du mélange. Cela n'est pas vrai pour toutes les télévisions fabriquées aujourd'hui, mais nous avons relevé que plusieurs télévisions sur le marché fonctionnent de cette façon. L'utilisation d'une connexion HDMI entre la télévision et la barre de son maximisera le potentiel d'un passage réussi du signal audio encodé à canaux multiples de la télévision à la barre de son.
- Les sources audio uniquement qui offrent seulement une sortie vidéo (comme les stations de lecteur média portable ou les lecteurs CD) se raccordent souvent à la barre de son par l'entremise de l'entrée analogique.

RACCORDEMENT D'UN CAISSON DE SOUS-GRAVES

Vous pouvez utiliser un caisson de sous-graves distinct pour

reproduire l'information du canal LFE (low frequency effects) des enregistrements à canaux multiples ou pour renforcer le rendement des graves dans les enregistrements stéréo. Un caisson de sous-graves de cinéma maison peut être raccordé par l'entremise de la connexion RCA « LFE Out » de la barre de son. Nous recommandons, bien entendu, d'utiliser un superbe caisson de sous-graves MartinLogan.

De plus, cette barre de son intègre un transmetteur sans fil intégré de caisson de sous-graves et comprend un récepteur sans fil de caisson de sous-graves pour simplifier la connexion et le positionnement d'un caisson de sous-graves dans la pièce.

Aucun caisson de sous graves

Pour les systèmes qui n'utilisent pas de caisson de sous-graves distinct, utilisez le système de menu de la barre de son et choisissez « Subwoofer > No Sub » (caisson de sous-graves > pas de caisson). Cela règle la barre de son pour qu'elle reproduise la plage de fréquences complète lorsqu'elle lit le contenu.

Raccordement câblé à un caisson de sous-graves

À l'aide d'un câble de style RCA de qualité conçu pour le raccordement du caisson de sous-graves, raccordez la sortie « Sub Out » de la barre de son à l'entrée « LFE In/ Sub In » du caisson de sous-graves.

Utilisez le système de menu de la barre de son et choisissez « Subwoofer > Wired Sub » (Caisson de sous-graves > caisson câblé).

Consultez le manuel du caisson de sous-graves pour savoir comment régler le niveau des sous-graves et les commandes de phase afin d'obtenir une bonne intégration avec la barre de son. Le filtre passif (crossover) du caisson de sous-graves doit être réglé à « bypass », « LFE ». Pour les caissons de sous-graves qui n'ont pas de réglage de filtre passif « bypass » ou « LFE », nous recommandons de régler le filtre passif au niveau le plus élevé.

Raccordement sans fil à un caisson de sous-graves

Utilisez le système de menu de la barre de son et choi-

sissez « Subwoofer > Wireless Sub > Sync Subwoofer' » (Caisson de sous-graves > caisson sans fil > caisson de sous-graves sync). La barre de son affichera « Push and Hold Button » (Appuyez et maintenez enfoncé le bouton).

Appuyez et maintenez enfoncé le bouton de synchronisation du récepteur sans fil du caisson de sous-graves. La connexion est réussie lorsque la lumière de statut passe à la couleur unie et que la barre de son répond par « Synced » (Synchronisée).

Veillez noter : Si un lien n'est pas établi, la DEL du récepteur sans fil commencera à clignoter lentement et la barre de son affichera « Failed » (Échec). Allumez et éteignez la barre de son, débranchez le récepteur sans fil et rebranchez-le, puis répétez la synchronisation.

Consultez le manuel du caisson de sous-graves pour savoir comment régler le niveau du caisson et les commandes de phase. Le filtre passif (crossover) du caisson de sous-graves doit être réglé à « bypass » ou « LFE ». Pour les caissons de sous-graves qui n'ont pas de réglage de filtre passif « bypass » ou « LFE », nous recommandons de régler le filtre passif au niveau le plus élevé.

Veillez noter : Le récepteur sans fil de caisson de sous-graves intégré dans cette barre de son n'est pas compatible avec la technologie de caisson de sous-graves sans fil SWT-1 ou SWT-2 de MartinLogan. Si votre caisson de sous-graves est doté de la technologie intégrée SWT-1 ou SWT-2, vous pouvez tout de même utiliser la fonction sans fil de la barre de son en raccordant le récepteur du caisson de sous-graves de la barre de son à l'entrée LFE sur votre caisson de sous-graves ou en raccordant le transmetteur SWT-1 ou SWT-2 à la sortie Sub out de la barre de son.

Veillez noter : Si vous décidez de ne plus utiliser le mode sans fil, éteignez le transmetteur sans fil de la barre de son à l'aide

du système de menu en choisissant « Subwoofer > Wireless Subwoofer > Turn Wireless Sub Off » (Caisson de sous-graves > Caisson de sous-graves sans fil > Éteindre le caisson sans fil » ou « Subwoofer > No Sub » (Caisson de sous-graves > pas de caisson). Cela éteindra le transmetteur et réglera automatiquement la barre de son pour « aucun caisson de sous-graves ».

MISE EN GARDE! Lors de l'utilisation sans fil, le caisson de sous-graves peut être assujéti à l'interférence RF dans la largeur de bande 2.4GHz provenant des fours à micro-ondes et des appareils sans fil comme les systèmes Wi-Fi, les consoles de jeu vidéo, les téléphones sans fil, les appareils Bluetooth et les moniteurs pour bébé. Généralement, ce problème (son intermittent, craquements dans le son) se règle facilement en séparant physiquement les appareils problématiques – une distance aussi petite que deux pieds réglera souvent le problème d'interférence. Dans le cas des fours à micro-ondes, l'interférence surviendra seulement lorsque le four est utilisé.

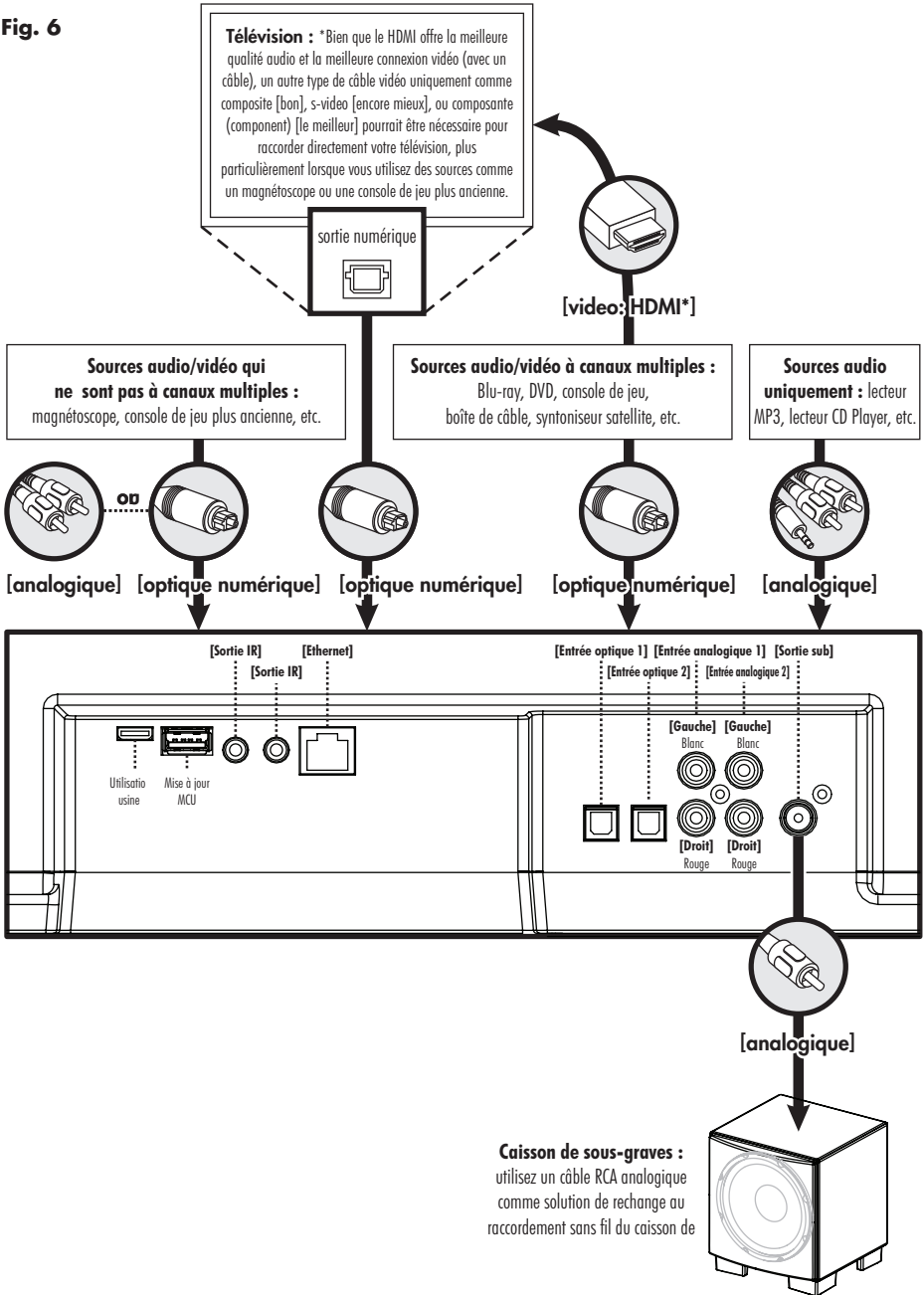
CONNEXION ETHERNET

Connectez la connexion Ethernet de la barre de son à votre réseau local pour utiliser l'ARCMC (Anthem Room Correction) ou le contrôle IP.

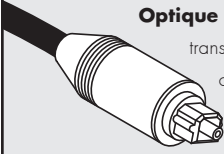
SORTIES IR

Ces prises acceptent les émetteurs IR avec des connecteurs monostyles de 3,5 mm. Un émetteur IR est inclus avec la barre de son. Branchez l'émetteur IR dans l'une des prises de sortie IR de la barre de son et placez l'autre extrémité de l'émetteur IR sur le capteur IR d'un autre appareil. L'utilisation d'un émetteur IR permet à la barre de son de transmettre les signaux IR provenant d'une télécommande à un appareil captif, ce qui permet de commander le matériel dans des emplacements qu'une télécommande ne pourrait normalement pas atteindre.

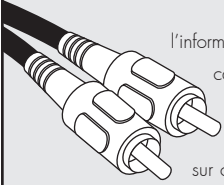
Fig. 6



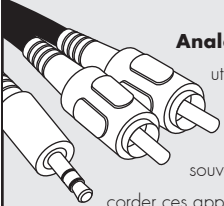
PRÉSENTATION DES CÂBLES AUDIO



Optique numérique (digital optical) : le système optique numérique utilise un câble pour transmettre l'information audio numérique (pas vidéo). Un câble optique numérique offre une connexion numérique de haute qualité et transmet l'audio encodé à canaux multiples entre une composante source et la sortie audio d'un appareil.



RCA analogique (gauche/droite) : Ces câbles sont utilisés pour acheminer l'information audio (pas de vidéo). Un câble RCA analogique peut uniquement acheminer un seul canal d'information entre une composante source et un appareil à sortie audio. Pour obtenir un son à deux canaux (gauche/droite), vous verrez que les câbles RCA analogiques viennent sous forme de paire stéréo (deux connecteurs à chaque extrémité). L'entrée auxiliaire sur cette enceinte peut accepter un signal stéréo analogique grâce à un câble utilisant une prise stéréo de 3,5 mm de style casque d'écoute. Si vous branchez cette enceinte à un appareil (station d'accueil ou lecteur CD) doté de sorties RCA analogiques gauche/droite, vous aurez besoin d'un câble spécial avec une prise de 3,5 mm de style casque d'écoute à une extrémité et de prises RCA gauche/droite à l'autre extrémité.



Analogique RCA gauche/droit à stéréo 3,5 mm : Ces câbles analogiques sont utilisés pour acheminer l'information audio (pas de vidéo). Les anciennes consoles de jeu, les stations de lecteur média portatif, les magnétoscopes (VCR) et les composantes sources semblables (qui ne peuvent pas lire le contenu encodé à canaux multiples) offrent souvent une seule connexion possible par câbles RCA analogiques gauche/droite. Pour raccorder ces appareils, utilisez le câble RCA gauche/droit à stéréo 3,5 mm.

PRÉSENTATION DES CONNEXIONS POUR L'AUDIO EN CONTINU



® **Bluetooth** : Cette technologie de connexion sans fil permet de brancher une vaste gamme d'appareils à un appareil doté d'une sortie audio et à la lecture audio en continu. Bluetooth établit une connexion directement avec un appareil doté d'une sortie audio et n'a pas besoin que l'un ou l'autre des appareils soit connecté à un LAN.

COMPORTEMENT DU VOLUME PAR ENTRÉE

En fonction de l'entrée choisie sur votre enceinte, le volume adoptera différents comportements.

ENTRÉE DE L'ENCEINTE	COMPORTEMENT DU VOLUME
optique numérique, analogique	La barre de son contrôlera le volume pour l'entrée audio sur la plupart des sources.*
Bluetooth	Le volume sur l'appareil Bluetooth et le volume sur l'enceinte sont contrôlés séparément.*

Les appareils connectés par auxiliaire et Bluetooth peuvent avoir leur propre commande de volume qui fonctionne séparément du volume de l'enceinte. Si vous branchez un appareil qui vous permet de régler le volume séparément, nous vous recommandons de ne pas régler au maximum le volume sur cet appareil. Lorsque le volume est réglé au

maximum, l'amplificateur dans l'appareil externe est susceptible d'introduire une distorsion élevée dans le signal audio qui, à son tour, sera amplifiée davantage par l'enceinte. Trouvez un volume qui se situe entre 50 et 75 % du volume maximal de l'appareil et utilisez la commande de volume de votre enceinte pour régler le volume final de lecture.

PANNEAU DE COMMANDE

Votre barre de son comporte sept boutons qui commandent les fonctions suivantes :

POWER/STANBY (ALIMENTATION/VEILLE) :


Allume et éteint la barre de son.

INPUT (ENTRÉE) :

Navigation dans les entrées. L'ordre des entrées est : Optique 1 > Optique 2 > Analogique 1 > Analogique 2 > Bluetooth.

VOL+/VOL- : Ajuste le volume. Lorsque le menu est activé, les boutons de volume fonctionneront comme des boutons haut/bas.

MUTE (SOURDINE) :

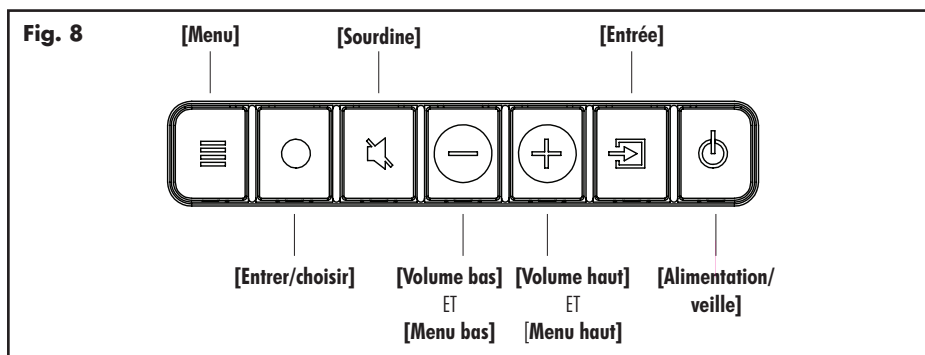
Met la barre de son en sourdine. Lorsque le son est en sourdine, la barre de son indiquera . En appuyant sur ce bouton une deuxième fois ou en appuyant sur le bouton du volume, le réglage du volume précédent sera restauré.

ENTER/SELECT (ENTRER/CHOISIR) :

Lorsque le menu est activé, ce bouton vous permet de choisir un article du menu.

MENU :

Active le menu de configuration. Lorsque le menu est activé, le bouton Menu vous ramène un niveau en arrière; les boutons de volume fonctionneront comme haut/bas, et le bouton Enter/Select vous permettra de choisir un article du menu. Quittez le menu en appuyant sur le bouton Menu.



TÉLÉCOMMANDE

Votre barre de son commande les fonctions suivantes :


POWER (ALIMENTATION) :

Allume et éteint la barre de son.

MENU :

Entrée et sortie dans le menu dans la barre de son.

MUTE (SOURDINE) :

Met la barre de son en sourdine. Lorsque le son est en sourdine, la barre de son indiquera . En appuyant sur ce bouton une deuxième fois ou en

appuyant sur le bouton du volume, le réglage du volume précédent sera restauré.

VOL+/VOL- : Règle le niveau du volume.

BASS MODE – NIGHT (MODE GRAVES – NUIT) :

Diminue les graves et comprime la gamme dynamique.

BASS MODE – BASS+ (MODE BASS – BASS +) :

augmente la sortie des graves.

BASS MODE – NORMAL (MODE GRAVES – NORMAL) : Rétablit les niveaux normaux.

INPUT (ENTRÉE) : Active l'entrée choisie.

CHANGER LA PILE DE LA TÉLÉCOMMANDE

La télécommande de votre enceinte fonctionne avec deux piles de type AAA. Vous pouvez accéder au compartiment à piles en utilisant un tournevis Phillips pour enlever la vis située au bas de la télécommande.

Mise en garde! Risque d'explosion si la pile n'est pas bien remplacée. Remplacez-la uniquement avec le même type de pile ou un type équivalent.



PROGRAMMATION D'UNE DEUXIÈME TÉLÉCOMMANDE

La barre de son peut être programmée pour répondre à une deuxième télécommande. Voir la section « Système de menu » de ce manuel pour obtenir les instructions de programmation.

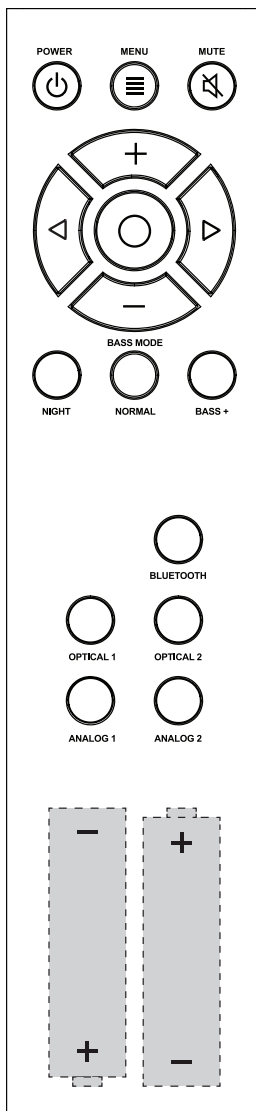
Veillez noter : Il se peut que la barre de son ne puisse pas apprendre ou apprendre correctement certains types de télécommande. En raison du nombre de télécommandes disponibles, il est impossible de prédire quelles télécommandes fonctionneront ou ne fonctionneront pas.

Veillez noter : lorsque vous programmez une deuxième télécommande, vous remarquerez qu'elle n'a probablement pas les boutons qui correspondent directement aux commandes de la barre de son. Ce ne sont pas toutes les commandes de la barre de son qui doivent être programmées. Certaines télécommandes offrent des boutons « fonction » (F1, F2, etc.) qui peuvent être utilisés pour programmer des commandes uniques à la barre de son comme « NITE.MD » ou « OPTIC ».

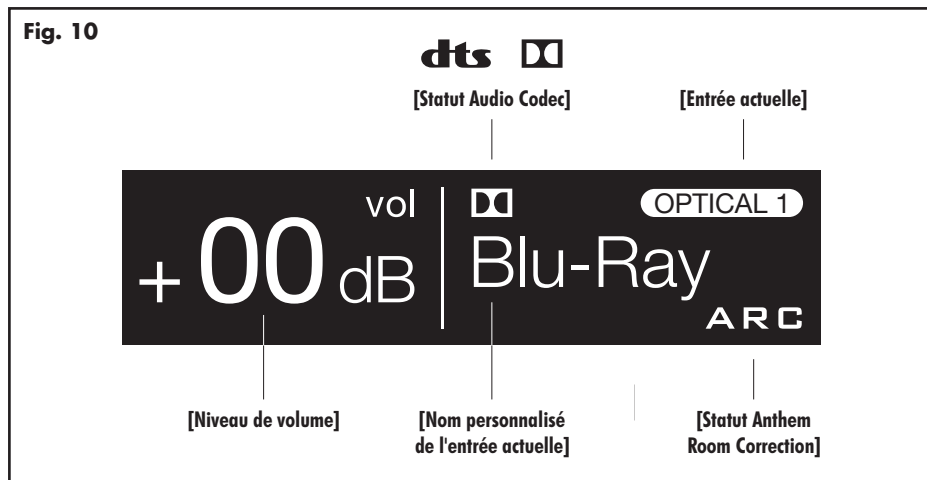
Veillez noter : Certaines télécommandes offrent des boutons « Power on » (Allumer) et « Power off » (Éteindre)

distincts. D'autres offrent un seul bouton pour basculer de Allumer à Éteindre. La fonction apprentissage (learning) de la barre de son vous permet de programmer en fonction de ces deux scénarios.

Fig. 9



AFFICHAGE



Votre barre de son affiche les renseignements suivants :

Statut Audio Codec : Si un signal audio avec encodage de son ambiophonique est détecté, cette icône indiquera Dolby^{MD} Digital ou DTS Digital Surround^{MC}.

Niveau de volume : Affiche le niveau de volume actuel.

Entrée actuelle : Cette icône indique l'entrée qui est actuellement active en utilisant le nom standard de l'entrée. Ce champ n'est pas personnalisable.

Nom personnalisé de l'entrée actuelle : Ceci indique l'entrée qui est actuellement active en utilisant le nom défini par l'utilisateur.

Statut Anthem Room Correction : Cette icône indique qu'Anthem Room Correction est actif. Cette icône ne s'affichera pas si Anthem Room Correction a été éteint manuellement ou si une courbe d'ajustement n'a pas été téléchargée en amont dans la barre de son. Pour obtenir des renseignements sur la configuration de l'ARC, veuillez consulter la section « (ARC^{MC}) Anthem Room Correction » de ce manuel.

LE SYSTÈME DE MENU

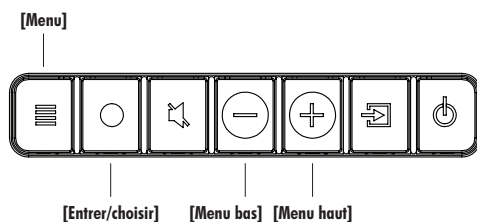
ENTRER ET SORTIR DU MENU

Pour accéder au menu à partir de la télécommande, appuyez sur le bouton « Menu ». Pour sortir du menu à partir de la télécommande, appuyez sur le bouton « Menu » à nouveau. Pour accéder au menu à partir du panneau de commande, appuyez sur le bouton « Menu ». Pour sortir, appuyez à nouveau sur le bouton Menu. Le menu se ferme automatiquement après 30 secondes.

NAVIGUER DANS LE MENU**

On navigue dans le menu à l'aide d'un système de navigation « haut/bas/gauche/droite ». Les directions Haut et Bas sont utilisées pour naviguer dans les options du menu et du sous-menu. Le bouton de Droite ou Entrer/choisir est utilisé pour accéder à un sous-menu ou pour choisir une option. Avec la télécommande, le bouton de Gauche est utilisé pour sortir d'un sous-menu et revenir d'un niveau.

Fig. 11



OPTION DU MENU : INSTALLATION

Installation : Entrez dans le sous-menu en appuyant sur le bouton enter (entrer).

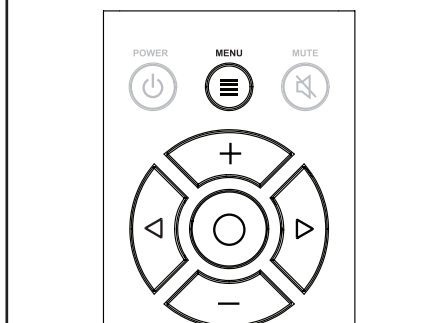
Installation > Shelf Mount (Installation > Montage sur une étagère) : Cette option configure la sortie audio de la barre de son pour le meilleur son possible dans le cas d'une installation sur une étagère. La direction de l'écran d'affichage est également ajustée. Activez-la en appuyant sur le bouton enter (entrer) et la barre de son répondra par « Saved » (Sauvegardé).

Installation > Shelf Mount (Installation > Montage sur une étagère) : Cette option configure la sortie audio de la barre de son pour le meilleur son possible dans le cas d'une installation sur une étagère. La direction de l'écran d'affichage est également ajustée. Activez-la en appuyant sur le bouton enter (entrer) et la barre de son répondra par « Saved » (Sauvegardé).

Installation > Wall Mount (Installation > Montage sur un mur) : Entrez dans le sous-menu en appuyant sur le bouton enter (entrer). Les réglages dans ce menu ajusteront la barre de son pour une installation de type montage sur un mur ou sous une télévision.

Installation > Wall Mount > Above TV : (Installation > Montage sur un mur > au-dessus de la TV) : Cette option configure la sortie audio de la barre de son pour le meilleur son possible dans le cas d'une installation sur un mur au-dessus de la télévision. La direction de l'écran d'affichage est également ajustée. Activez-la en appuyant sur le bouton enter (entrer) et la barre de son répondra par « Saved » (Sauvegardé).

Fig. 12



Installation > Wall Mount > Below TV : (Installation > Montage sur un mur > sous la TV) : Cette option configure la sortie audio de la barre de son pour le meilleur son possible dans le cas d'une installation sur un mur sous la télévision. La direction de l'écran d'affichage est également ajustée. Activez-la en appuyant sur le bouton enter (entrer) et la barre de son répondra par « Saved » (Sauvegardé).

OPTION DU MENU : CAISSON DE SOUS-GRAVES

Subwoofer (Caisson de sous-graves) : Entrez dans le sous-menu en appuyant sur le bouton enter (entrer). Ici, vous pouvez configurer l'intégration d'un caisson de sous-graves externe. *Veillez noter :* lorsque vous intégrez un caisson de sous-graves externe, vous devez choisir entre un raccordement câblé ou sans fil. La barre de son ne peut pas utiliser les deux raccordements simultanément. La barre de son peut se connecter à un seul caisson de sous-graves sans fil. Toutefois, il est possible de raccorder

plusieurs caissons de sous-graves câblés à l'aide d'un séparateur en « Y » fixé au câble du caisson de sous-graves, ou si votre caisson de sous-graves offre une sortie conçue pour brancher des caissons multiples en série.

Subwoofer > No Sub (Caisson de sous-graves > aucun caisson) : Cette option configure la barre de son pour gérer toute l'information sur les graves et ne transmettra pas l'information par les connexions de caissons câblés ou sans fil. Activez-la en appuyant sur le bouton enter (entrer) et la barre de son répondra par « Saved » (Sauvegardé).

Subwoofer > Wired Sub (Caisson de sous-graves > caisson câblé) : Cette option configure la barre de son pour qu'elle utilise un caisson de sous-graves externe raccordé par un câble à la connexion Sub Out RCA de la barre de son. Activez-la en appuyant sur le bouton enter (entrer) et la barre de son répondra par « Saved » (Sauvegardé). Avec cette option, le transmetteur sans fil du caisson est éteint.

Consultez le manuel du caisson de sous-graves pour savoir comment régler le niveau des sous-graves et les commandes de phase afin d'obtenir une bonne intégration avec la barre de son. Le filtre passif (crossover) du caisson de sous-graves doit être réglé à « bypass » ou « LFE ». Pour les caissons de sous-graves qui n'ont pas de réglage de filtre passif « bypass » ou « LFE », nous recom-

mandons de régler le filtre passif au niveau le plus élevé.

Subwoofer > Wireless Sub (Caisson de sous-graves > caisson sans fil) : Entrez dans le sous-menu en appuyant sur le bouton enter (entrer). Ici, vous pouvez synchroniser la barre de son au récepteur sans fil de caisson de sous-graves (inclus avec la barre de son).

Consultez le manuel du caisson de sous-graves pour savoir comment régler le niveau des sous-graves et les commandes de phase afin d'obtenir une bonne intégration avec la barre de son. Le filtre passif (crossover) du caisson de sous-graves doit être réglé à « bypass » ou « LFE ». Pour les caissons de sous-graves qui n'ont pas de réglage de filtre passif « bypass » ou « LFE », nous recommandons de régler le filtre passif au niveau le plus élevé.

Subwoofer > Wireless Subwoofer > Sync Subwoofer (Caisson de sous-graves > caisson de sous-graves sans fil > caisson de sous-graves synchronisé) : Cette option connecte la barre de son au récepteur sans fil du caisson de sous-graves. Commencez la synchronisation en appuyant sur le bouton enter (entrée). La barre de son affichera « Push and Hold Button » (Appuyez et maintenez enfoncé le bouton).

Appuyez et maintenez enfoncé le bouton de synchronisation du récepteur sans fil du caisson de sous-graves. La connexion est réussie lorsque la lumière de statut passe

UN APERÇU DE LA STRUCTURE DU MENU**

Installation [choisit l'emplacement de l'installation]

- ↳ *† Shelf Mount [montage sur une étagère, choisir lorsque monté sur une surface plane]
- ↳ Wall Mount [montage sur un mur, choisir lorsque monté sur un mur]
 - ↳ Above TV [au-dessus de la TV, choisir lorsque montée sur un mur, au-dessus de la TV]
 - ↳ Below TV [sous la TV, choisir lorsque montée sur un mur, sous la TV]

Subwoofer [caisson de sous-graves, choisit la configuration du caisson]

- ↳ *† No Sub [aucun caisson, choisit lorsque vous n'utilisez pas de caisson]
- ↳ Wired Sub [caisson câblé, choisir lorsque vous raccordez le caisson par un câble]
- ↳ Wireless Sub [caisson sans fil, configure un caisson de sous-graves sans fil]
 - ↳ Sync Subwoofer [récepteur de caisson de sous-graves sans fil sync]

- ↳ Turn Wireless Sub Off [éteindre caisson sans fil, désactive le transmetteur du caisson sans fil]

Bass Level [niveau de basse, ajuste le niveau de basse par paliers de 2dB]

- ↳ +10dB through -10dB [*† default = 0dB]

Surrounds [ambisonique, configure les options ambisoniques pour les sources à 5.1 canaux]

- ↳ Off [Éteindre, éteint les ambisoniques simulés]
- ↳ *On [Allumer, ambisoniques simulés au niveau normal]
- ↳ †+6dB [augmenter le niveau d'Ambisoniques simulés de +6dB]

Stereo Mode [mode stéréo, configure les options pour les sources stéréo à 2 canaux]

- ↳ Wide [large, crée une image stéréo plus large]
- ↳ †Voice+ [voix plus, simule un canal central pour les sources stéréo]

AN OVERVIEW OF THE MENU STRUCTURE (CONTINUED)

↳ *Normal [normal, utilise le signal stéréo d'origine]

Bass Mode [Mode graves, choisit le mode d'écoute EQ pour les graves]

↳ †Bass+ [mode bass+, règle le mode EQ pour plus de graves]

↳ *Normal [normal, retourne l'EQ des grave aux niveaux normaux]

↳ Night [nuit, règle le mode EQ des graves pour des graves diminuées]

Display [affichage, choisit le mode d'affichage]

↳ †Bright [brillant, utilise une brillance totale en tout temps]

↳ Dim [tamisé, utilise un affichage tamisé en tout temps]

↳ *Auto Bright [brillance auto, pleine brillance, l'affichage s'éteint automatiquement]

↳ Auto Dim [tamisé auto, affichage tamisé, l'affichage s'éteint automatiquement]

Anthem Room Correction [configure l'Anthem Room Correction]

↳ *†On [allumé, allume l'Anthem Room Correction, si chargé]

↳ Off [éteint, éteint l'Anthem Room Correction]

Power Settings [paramètres d'alimentation, configure les paramètres d'alimentation]

↳ Power Standby [veille alimentation, configure le comportement de veille]

↳ *†Auto Standby [veille auto, la barre de son s'allume et s'éteint au besoin]

↳ Always On [toujours allumée, la barre de son est toujours allumée]

↳ PowerOn Volume [volume allumé, règle le volume par défaut pour appareil allumé]

↳ Set [régler]

↳ Max à -90dB [*†défaut = -35dB]

↳ Last Used [dernière utilisation, le volume pour appareil allumé est égal au niveau précédent]

↳ IP Control [configure le contrôle de l'IP]

↳ Off [éteint, éteint le contrôle de l'IP]

↳ *†On [allumé, allume le contrôle de l'IP]

↳ Standby IP [configure la veille pour le contrôle de l'IP]

↳ *†Off [éteint, éteint la veille du contrôle de l'IP]

↳ On [allumé, allume la veille du contrôle de l'IP, désactivé si le contrôle de l'IP est éteint]

Wireless Setup [configuration Wi-Fi, configure les connexions au réseau sans fil]

↳ Bluetooth Pairing [Jumelage Bluetooth, prépare la barre de son pour la connexion Bluetooth]

Learn Remote [apprendre les codes de la télécommande pour une deuxième télécommande]

↳ Volume +

↳ Volume -

↳ Mute [sourdine]

↳ Next Input [entrée suivante]

↳ Previous Input [entrée précédente]

↳ Up [haut]

↳ Down [bas]

↳ Left [gauche]

↳ Right [droite]

↳ Enter [entrer]

↳ Bass Mode: Night [mode graves : nuit]

↳ Bass Mode: Normal [mode graves : normal]

↳ Bass Mode: Bass+ [mode graves : graves +]

↳ Stereo Mode: Wide [mode stéréo : large]

↳ Stereo Mode, Voice+ [mode stéréo : voix +]

↳ Stereo Mode: Normal [mode stéréo : normal]

↳ Power Toggle [basculer alimentation]

↳ Power On [Allumé]

↳ Power Off [Éteint]

↳ Menu

↳ Input: Optical 1 [entrée : optique 1]

↳ Input: Optical 2 [régler : optique 2]

↳ Input: Analog 1 [entrée : analogique 1]

↳ Input: Analog 2 [entrée : analogique 2]

↳ ARC On [ARC allumé]

↳ ARC Off [ARC éteindre]

↳ Reset Remote [réinitialiser la télécommande, efface les codes pour la 2e télécommande]

↳ No [non, sort sans effacer les codes pour la 2e télécommande]

↳ Yes [oui, efface les codes pour la 2e télécommande]

Source Name [nom de la source, attribue des noms personnalisés aux entrées]

↳ Optical 1 [optique 1]

↳ Optical 2 [optique 2]

↳ Analog 1 [analogique 1]

↳ Analog 2 [analogique 2]

Service [commandes avancées]

↳ Firmware [micrologiciel, affiche les versions du micrologiciel]

↳ MCU [affiche la version du micrologiciel de la barre de son]

↳ DSP [affiche la version du micrologiciel DSP]

↳ IA3S4 [affiche la version du micrologiciel du caisson de sous-graves sans fil]

↳ TC390 [affiche la version du micrologiciel du bouton Tact]

↳ IP Address [afficher l'adresse IP]

↳ MAC MCU [affiche l'adresse MAC du MCU de la barre de son]

↳ Factory Reset [réinitialisation usine, réinitialise la barre de son aux paramètres d'usine d'origine]

↳ At Home [à la maison, paramètres par défaut de l'usine pour utilisation à la maison]

↳ No [non, sort sans réinitialiser]

↳ Yes [oui, réinitialise aux paramètres de l'usine]

↳ In Store [en magasin, paramètres par défaut de l'usine pour utilisation en magasin]

↳ No [non, sort sans réinitialiser]

↳ Yes [oui, réinitialise aux paramètres de l'usine]

*MAISON : Paramètre d'usine par défaut, utilisation à la maison.

†MAGASIN : Paramètre d'usine par défaut, utilisation en magasin.

à la couleur unie et que la barre de son répond par « Synced » (Synchronisée).

Subwoofer > Wireless Sub > Turn Wireless Sub Off (Caisson de sous-graves > caisson sans fil > éteindre caisson sans fil) : Cette option configure la barre de son pour traiter toutes les graves et lorsqu'elle est choisie, elle ne transmettra pas d'information par les connexions de caisson câblé ou de caisson sans fil. Activez-la en appuyant sur le bouton enter (entrée) et la barre de son répondra par « OFF ». L'activation de cette option permet d'exécuter la même fonction que « Subwoofer > No Sub ».

OPTION DU MENU : BASS LEVEL (NIVEAU DES GRAVES)

Bass Level (niveau des graves) : Entrez dans le sous-menu en appuyant sur le bouton enter (entrer). Ici, vous pouvez configurer les graves de ± 10 dB par paliers de 2dB.

Bass Level (niveau des graves) > -10dB à +10dB : À l'aide des boutons directionnels haut/bas, choisissez le niveau de graves approprié (de -10dB à +10dB). La sortie des graves sera automatiquement réglée pour correspondre à la valeur affichée.

OPTION DU MENU : SURROUNDS (AMBIOPHONIQUES)

Surrounds (Ambiophoniques) : Entrez dans le sous-menu en appuyant sur le bouton enter (entrer). Ce menu vous permet d'allumer/éteindre les canaux ambiophoniques simulés lorsque la barre de son détecte une source à canaux multiples.

Surrounds > Off (Ambiophoniques > éteint) : Cette option configure la barre de son (quand elle détecte un contenu encodé de 5.1 canaux) pour sous-mélanger la sortie de 3.1 canaux (canaux gauche/ centre/droit + caisson de sous-graves) et n'utilise pas les canaux de son ambiophonique simulé. Tout le contenu conçu pour les canaux ambiophoniques est transmis par les canaux gauche/centre/droit. Activez-la en appuyant sur le bouton enter (entrer) et la barre de son répondra par « Saved » (Sauvegardé).

Surrounds > On (Ambiophoniques > allumé) :

Cette option configure la barre de son (quand elle détecte un contenu encodé de canal 5.1) pour reproduire entièrement tous les canaux d'information 5.1, y compris les canaux de son ambiophonique simulé. Activez-la en appuyant sur le bouton enter (entrer) et la barre de son répondra par « Saved » (Sauvegardé).

Surrounds (ambiophoniques) > +6dB :

Cette option configure la barre de son (quand elle détecte un contenu encodé de 5.1 canaux) pour reproduire entièrement tous les canaux d'information 5.1, y compris les canaux de son ambiophonique simulé avec une sortie supplémentaire de 6 dB. Activez-la en appuyant sur le bouton enter (entrer) et la barre de son répondra par « Saved » (Sauvegardé).

OPTION DU MENU : STEREO MODE (MODE STÉRÉO)

Stereo Mode (mode stéréo) : Entrez dans le sous-menu en appuyant sur le bouton enter (entrer). Ici, vous pouvez établir comment la barre de son reproduit l'audio des sources à 2 canaux (stéréo).

Stereo Mode > Wide (Mode stéréo > large)

Wide (Mode stéréo > large) : Cette option configure la barre de son pour créer une image stéréo plus large. Activez-la en appuyant sur le bouton enter (entrer) et la barre de son répondra par « Saved » (Sauvegardé).

Stereo Mode > Voice+ (Mode stéréo > Voix+)

Voice+ (Mode stéréo > Voix+) : Cette option configure la barre de son pour reproduire les canaux de gauche et de droit avec un canal central simulé. Activez-la en appuyant sur le bouton enter (entrer) et la barre de son répondra par « Saved » (Sauvegardé).

Stereo Mode > Normal (Mode stéréo > Normal)

Normal (Mode stéréo > Normal) : Cette option configure la barre de son pour reproduire le contenu à l'aide des canaux de gauche et de droite. Activez-la en appuyant sur le bouton enter (entrer) et la barre de son répondra par « Saved » (Sauvegardé).

OPTION DU MENU : BASS MODE (MODE GRAVES)

Bass Mode (Mode graves) : Entrez dans le sous-menu en appuyant sur le bouton enter (entrer). Ici, vous pouvez régler l'égalisation des graves de la barre de son. Ces options peuvent également être activées directement de la télécommande de la barre de son.

Bass Mode – Bass+ (Mode graves – graves +) :

Ce mode augmente les graves. Activez-la en appuyant sur le bouton enter (entrer) et la barre de son répondra par « Saved » (Sauvegardé).

Bass Mode – Normal (Mode graves – normal) :

Ce mode rétablit les niveaux normaux des graves. Activez-la en appuyant sur le bouton enter (entrer) et la barre de son répondra par « Saved » (Sauvegardé).

Bass Mode – Night (Mode graves – nuit) :

Ce mode diminue les graves. Activez-la en appuyant sur le bouton enter (entrer) et la barre de son répondra par « Saved » (Sauvegardé).

OPTION DU MENU : DISPLAY (AFFICHAGE)

Display (Affichage) : Entrez dans le sous-menu en appuyant sur le bouton enter (entrer). Les paramètres de ce menu vous permettent de régler la brillance de l'affichage, ainsi que de configurer l'affichage pour qu'il s'allume et s'éteigne automatiquement.

Display > Bright (Affichage > brillance) :

Cette option configure l'affichage de la barre de son pour qu'il soit à pleine brillance lorsque la barre de son est allumée. Activez-la en appuyant sur le bouton enter (entrer) et la barre de son répondra par « Saved » (Sauvegardé).

Display > Dim (Affichage > tamisé) :

Cette option configure l'affichage de la barre de son pour qu'il soit à brillance réduite lorsque la barre de son est allumée. Activez-la en appuyant sur le bouton enter (entrer) et la barre de son répondra par « Saved » (Sauvegardé).

Display > Auto Bright (Affichage > brillance auto) :

Cette option configure l'affichage de la barre de son pour qu'il soit à pleine brillance lorsqu'un paramètre (comme le volume ou une entrée) est changé. Après quelques secondes, l'affichage s'éteindra. Activez-la en appuyant sur le bouton enter (entrer) et la barre de son répondra par « Saved » (Sauvegardé).

Display > Auto Dim (Affichage > tamisé auto) :

Cette option configure l'affichage de la barre de son pour qu'il soit à brillance réduite lorsqu'un paramètre (comme le volume ou une entrée) est changé. Après quelques secondes, l'affichage s'éteindra. Activez-la en appuyant sur le bouton enter (entrer) et la barre de son répondra par « Saved » (Sauvegardé).

OPTION DU MENU : ANTHEM ROOM CORRECTION

Anthem Room Correction (Système de correction de la pièce Anthem) Entrez dans le sous-menu en appuyant sur le bouton enter (entrer). Ici, vous pouvez allumer et éteindre l'Anthem Room Correction. À l'aide de processus exclusifs, d'un microphone et de la puissance de votre PC, le système ARC analyse le son dans la pièce de votre barre de son, puis calcule la correction requise pour obtenir un rendement optimal dans votre environnement acoustique.

Anthem Room Correction > Off or On (éteint ou allumé) :

Cette option permet d'allumer ou d'éteindre l'Anthem Room Correction. Activez-la en appuyant sur le bouton enter (entrer) et la barre de son répondra par « Saved » (Sauvegardé). Veuillez noter que le fait d'allumer et d'éteindre l'ARC fait uniquement une différence si les corrections de l'ARC n'ont pas été chargées dans la barre de son.

OPTION DU MENU : POWER SETTINGS (PARAMÈTRES D'ALIMENTATION)

Power Settings (Paramètres d'alimentation) :

Entrez dans le sous-menu en appuyant sur le bouton enter

(entrer). Ici, vous pouvez ajuster les options d'alimentation de la barre de son.

Power Settings > Power Standby (Paramètres d'alimentation > veille de l'alimentation) :

Entrez dans le sous-menu en appuyant sur le bouton enter (entrer). Ici, vous pouvez choisir si le caisson de sous-graves est toujours allumé ou s'il s'allume et s'éteint automatiquement.

Power Settings > Power Standby > Auto Standby (Power Settings > Power Standby (Paramètres d'alimentation > veille de l'alimentation > veille auto) :

Cette option configure la barre de son pour qu'elle s'éteigne si elle ne détecte pas de signal audio pendant environ 20 minutes. Lorsque la barre de son détecte un signal audio, elle s'allume automatiquement. Activez-la en appuyant sur le bouton enter (entrer) et la barre de son répondra par « Saved » (Sauvegardé). *Veuillez noter* : lorsqu'elle est réglée à « Auto Standby » (veille auto), si la barre de son est éteinte manuellement (à l'aide du bouton Power sur le panneau de commande ou la télécommande), la barre de son ne répondra pas à un signal audio entrant et s'allumera pas automatiquement. Dans cette situation, allumez la barre de son à l'aide du bouton Power du panneau de commande ou de la télécommande, et la barre de son recommencera à gérer l'alimentation de façon automatique.

Power Settings > Power Standby > Always On (Paramètres d'alimentation > veille de l'alimentation > toujours allumé) :

Cette option configure la barre de son pour qu'elle reste allumée en tout temps jusqu'à ce qu'elle soit éteinte manuellement à l'aide du bouton Power du panneau de commande ou de la télécommande. Activez-la en appuyant sur le bouton enter (entrer) et la barre de son répondra par « Saved » (Sauvegardé).

Power Settings > Power-On Volume (Paramètres d'alimentation > volume allumage) :

Entrez dans le sous-menu en appuyant sur le bouton enter (entrer). Ici, vous pouvez configurer le volume par défaut de la barre de son lorsqu'elle s'allume ou qu'elle sort du mode veille.

Power Settings > Power-On Volume > Set (Paramètres d'alimentation > volume allumage > régler) :

Entrez dans le sous-menu en appuyant sur le bouton enter (entrer). Ici, vous pouvez régler le volume à l'allumage.

Power Settings > Power-On Volume > Set > -90dB to +10dB (Paramètres d'alimentation > volume allumage > régler > -90dB à +10dB) :

À l'aide des boutons directionnels haut/bas, choisissez le niveau de volume souhaité. Une fois cette fonction réglée, la barre de son sera toujours à ce niveau lorsqu'elle s'allume ou qu'elle sort du mode veille. Le niveau par défaut est -35dB.

Power Settings > Power-On Volume > Last Used (Paramètres d'alimentation > volume allumage > dernière utilisation) :

Lorsque la veille de l'alimentation est réglée à « dernière utilisation », la barre de son s'allumera ou sortira du mode veille à un volume qui correspond au réglage du volume présent lorsque la barre de son a été éteinte ou qu'elle est passée en mode veille.

Power Settings > IP Control (Paramètres d'alimentation > contrôle IP) :

Entrez dans le sous-menu en appuyant sur le bouton enter (entrer). Ici, vous pouvez allumer ou éteindre le contrôle IP. Le contrôle IP permet à la barre de son de répondre aux commandes IP entrantes à partir des systèmes de contrôle maison en réseau par l'entremise de l'Ethernet ou du Wi-Fi.

Power Settings > IP Control > Off or On (Paramètres d'alimentation > contrôle IP > éteint ou allumé) :

Cette option éteint ou allume la fonction contrôle IP. Activez-la en appuyant sur le bouton enter (entrer) et la barre de son répondra par « Saved » (Sauvegardé).

Power Settings > Standby IP (Paramètres d'alimentation > IP en veille) :

Entrez dans le sous-menu en appuyant sur le bouton enter (entrer). Ici, vous pouvez allumer ou éteindre la veille IP. Cela vous permet de configurer la façon dont la barre de son répond aux commandes IP entrantes lorsqu'elle est en mode veille.

Power Settings > Standby IP > Off or On (Paramètres d'alimentation > IP en veille > éteint ou allumé) : Cette option éteint ou allume la fonction IP en veille. Activez-la en appuyant sur le bouton enter (entrer) et la barre de son répondra par « Saved » (Sauvegardé). Lorsque ce paramètre est réglé à « éteint », la barre de son ne répondra pas aux commandes IP entrantes lorsqu'elle est éteinte ou en mode veille. Si le contrôle IP est réglé à éteint, le IP en veille est désactivé.

OPTION DU MENU : WIRELESS SETUP (CONFIGURATION SANS FIL)

Wireless Setup (Configuration sans fil) : Entrez dans le sous-menu en appuyant sur le bouton enter (entrer). Ici, vous pouvez configurer une connexion Wi-Fi et Bluetooth.

Wireless Setup > Bluetooth Pairing (Configuration sans fil > Jumelage Bluetooth) :

Activez en appuyant sur le bouton enter (entrée). La barre de son répondra par « Pairing Mode On » (Mode jumelage allumé). La barre de son restera en mode jumelage pendant 5 minutes. Utilisez le menu configuration Bluetooth de votre appareil source pour configurer la connexion Bluetooth.

OPTION DU MENU : LEARN REMOTE (APPRENTISSAGE TÉLÉCOMMANDE)

Veillez noter : Il se peut que la barre de son ne puisse pas apprendre ou apprendre correctement certains types de télécommande. En raison du nombre de télécommandes disponibles, il est impossible de prédire quelles télécommandes fonctionneront ou ne fonctionneront pas. *Veillez noter :* lorsque vous programmez une deuxième télécommande, vous remarquerez qu'elle n'a probablement pas les boutons qui correspondent directement aux commandes de la barre de son. Ce ne sont pas toutes les commandes de la barre de son qui doivent être programmées. Certaines télécommandes offrent des boutons « fonction » (F1, F2, etc.) qui peuvent être utilisés pour programmer des commandes uniques à la barre de son comme « Bass Mode

: Night » (mode graves : nuit). *Veillez noter :* Certaines télécommandes offrent des boutons « Power on » (Allumer) et « Power off » (Éteindre) distincts. D'autres offrent un seul bouton pour basculer de Allumer à Éteindre. La fonction apprentissage (learning) de la barre de son vous permet de programmer en fonction de ces deux scénarios.

Learn Remote (Apprentissage télécommande) :

Entrez dans le sous-menu en appuyant sur le bouton enter (entrer). Les paramètres de ce menu programment la barre de son pour qu'elle réponde à une deuxième télécommande. La télécommande fournie avec la barre de son fonctionnera toujours avec la barre de son, même si elle est programmée pour répondre à une deuxième télécommande.

Si vous essayez de programmer un code de télécommande à partir d'une deuxième télécommande qui est déjà programmée, la barre de son répondra par « Failed » (Échec).

À l'aide des boutons directionnels haut/bas, vous pouvez choisir et programmer les commandes suivantes :

- Volume +
- Volume –
- Mute (Sourdine)
- Next Input (Entrée suivante)
- Previous Input (Entrée précédente)
- Up (haut)
- Down (bas)
- Left (gauche)
- Right (droite)
- Enter (Entrer)
- Bass Mode: Night (Mode graves : nuit)
- Bass Mode: Normal (Mode graves : normal)
- Bass Mode: Bass+ (Mode graves : graves+)
- Stereo Mode: Wide (Mode stéréo : large)
- Stereo Mode: Voice+ (Mode stéréo : Voix+)
- Stereo Mode: Normal (Mode stéréo : normal)
- Power Toggle (Basculer alimentation)
- Power On (Allumé)
- Power Off (Éteint)
- Menu
- Input: Bluetooth (Entrée : Bluetooth)
- Input: Optical 1 (Entrée : optique 1)

- Input: Optical 2 (Entrée : optique 2)
- Input: Analog 1 (Entrée : analogique 1)
- Input: Analog 2 (Entrée : analogique 2)
- ARC On [Anthem Room Correction On] (ARC allumé)
- ARC Off [Anthem Room Correction Off] (ARC éteint)

Choisissez la commande que vous souhaitez programmer et appuyez sur le bouton enter (entrée). La barre de son répondra par « Push Button » (Appuyez bouton). Tenez la deuxième télécommande à environ 12 pouces (30 cm) de la barre de son et appuyez et maintenez enfoncé le bouton approprié quatre fois. Si la nouvelle télécommande est enregistrée avec succès, la barre de son affichera « Saved » (Sauvegardé). Si la nouvelle télécommande n'est pas enregistrée, la barre de son affichera « Failed » (Échec). Répétez le processus en cas d'échec.

Learn Remote > Reset Remote (Apprentissage > réinitialiser télécommande)

: Entrez dans le sous-menu en appuyant sur le bouton enter (entrer). La réinitialisation supprimera la programmation de la deuxième télécommande. La fonction Réinitialisation exige une confirmation.

Learn Remote > Reset Remote > No (Apprentissage > réinitialiser télécommande > Non)

: Activez en appuyant sur le bouton enter (entrée). Le fait de choisir cette option permet de sortir sans effacer la programmation de la télécommande.

Learn Remote > Reset Remote > Yes (Apprentissage > réinitialiser télécommande > Oui)

: Activez en appuyant sur le bouton enter (entrée). La barre de son répondra par « Resetting » (réinitialisation). Après une réinitialisation des codes, il n'y a aucune façon de récupérer les réglages précédents.

OPTION DU MENU : SOURCE NAME (NOM DE LA SOURCE)

Source Name (Nom de la source) : Entrez dans le sous-menu en appuyant sur le bouton enter (entrer). Les paramètres de ce menu vous permettent d'attribuer de nouveaux noms à afficher sur la barre de son lorsque vous changez les entrées. Par exemple, vous pouvez program-

mer l'entrée « Optical 1 » pour qu'elle indique « DVD ». À l'aide des boutons directionnels haut/bas, vous pouvez choisir et programmer les noms d'entrée suivants :

- Optical 1
- Optical 2
- Analog 1
- Analog 2

Choisissez le nom de l'entrée que vous souhaitez reprogrammer et appuyez sur le bouton enter (entrée). L'affichage de la barre de son affichera le nom actuel. Appuyez sur les boutons directionnels haut/bas pour naviguer dans les caractères alphanumériques disponibles. En appuyant sur les boutons directionnels gauche/droite, vous passerez à l'espace suivant/précédant. Pour terminer la programmation d'un nom d'entrée, utilisez les boutons gauche/droite pour aller entièrement à gauche ou à droite.

OPTION DU MENU : SERVICE

Service : Entrez dans le sous-menu en appuyant sur le bouton enter (entrer).

Service > Firmware (Service > micrologiciel) : Entrez dans le sous-menu en appuyant sur le bouton enter (entrer).

Service > Firmware > MCU (Service > micrologiciel > MCU) : Le fait d'appuyer sur le bouton enter affichera la version actuelle du micrologiciel pour le MCU (microcontroller unit) de la barre de son.

Service > Firmware > DSP (Service > micrologiciel > DSP) : Le fait d'appuyer sur le bouton Enter affichera la version actuelle du micrologiciel pour le module DSP de la barre de son.

Service > Firmware > IA354 (Service > micrologiciel > IA354) : le fait d'appuyer sur le bouton Enter affichera la version actuelle du micrologiciel pour le module de caisson de sous graves sans fil de la barre de son.

Service > Firmware > TC390 (Service > micrologiciel > TC390) : le fait d'appuyer sur le bouton Enter affichera la version actuelle du micrologiciel pour le module du bouton Tact de la barre de son.

Service > Firmware > IP Address (Service > micrologiciel > adresse IP) : Le fait d'appuyer sur le bouton entrer affichera l'adresse IP actuelle.

Service > Firmware > MAC MCU (Service > micrologiciel > MAC MCU) : Le fait d'appuyer sur le bouton entrer affichera la version actuelle du micrologiciel pour l'adresse mac du MCU de la barre de son.

Service > Factory Reset (Service > réinitialisation usine) : Entrez dans le sous-menu en appuyant sur le bouton entrer (entrer). La réinitialisation de la barre de son rétablira tous les paramètres des paramètres par défaut de l'usine. Cela effacera tous les paramètres pré-configurés par l'utilisateur, les données Anthem Room Correction et les paramètres Wi-Fi. Cette fonction exige une confirmation afin de diminuer les risques d'effectuer une réinitialisation accidentelle.

Service > Factory Reset > at home (Service > réinitialisation usine > à la maison) : Entrez dans le sous-menu en appuyant sur le bouton entrer (entrer).

Service > Factory Reset > at home > No (Service > réinitialisation usine > à la maison > Non) : Activez en appuyant sur le bouton entrer (entrée). Le fait de choisir cette option permet de quitter sans réinitialisation.

Service > Factory Reset > at home > Yes (Service > réinitialisation usine > à la maison > Oui) : Activez en appuyant sur le bouton entrer (entrée). La barre de son répondra par « Resetting » (réinitialisation). Une fois terminé, la barre de son rétablira les paramètres à la maison par défaut de l'usine. Après une réinitialisation, il est impossible de récupérer les paramètres précédents.

Service > Factory Reset > In store (Service > réinitialisation usine > en magasin) : Entrez dans le sous-menu en appuyant sur le bouton entrer (entrer).

Service > Factory Reset > In store > No (Service > réinitialisation usine > en magasin > Non) : Activez en appuyant sur le bouton entrer (entrée). Le fait de choisir cette option permet de quitter sans réinitialisation.

Service > Factory Reset > In store > Yes (Service > réinitialisation usine > en magasin > Oui) : Activez en appuyant sur le bouton entrer (entrée). La barre de son répondra par « Resetting » (réinitialisation). Une fois terminé, la barre de son rétablira les paramètres par défaut de l'usine. Après une réinitialisation, il est impossible de récupérer les paramètres précédents.

DÉCODAGE DU SON AMBIOPHONIQUE

ENTRÉES NUMÉRIQUES (OPTIQUE)

Cette barre de son est capable de détecter et de décoder automatiquement les formats audio à canaux multiples, comme ceux des films sur DVD ou Blu-ray.

Lorsque vous utilisez une connexion numérique, la barre de son peut traiter les formats suivants : Dolby^{MD} Digital, DTS Digital Surround^{MC}, et stéréo numérique.



ENTRÉE ANALOGIQUE

L'information sonore encodée numériquement ne peut pas être transmise à une entrée analogique. Cette méthode de connexion est appropriée pour la plupart des appareils qui offrent seulement deux canaux de sortie (comme les magnétoscopes [VCR], les lecteurs CD, les consoles de jeu plus anciennes ou les stations de lecteur média portatives). Bien que la plupart des appareils offrant le son ambiphonique, comme les lecteurs DVD et Blu-ray, offrent des connexions analogiques et numériques, il faut toujours utiliser les connexions numériques. Si un appareil source est raccordé par l'entremise d'une connexion RCA analogique gauche/droite, le contenu audio encodé à 5.1 canaux ne sera pas transmis à la barre de son.

MISES À JOUR ET REDÉMARRAGE

MISE À JOUR DU MICROLOGICIEL DE LA BARRE DE SON

Le MCU de la barre de son aura parfois besoin de mises à jour du micrologiciel. Veuillez consulter le site Web www.martinlogan.com pour obtenir les mises à jour les plus récentes du micrologiciel.

REDÉMARRAGE DE LA BARRE DE SON

Pour effectuer un redémarrage de la barre de son, débranchez le cordon d'alimentation, attendez 30 secondes, puis rebranchez-le. Appuyez sur le bouton Power pour allumer la barre de son. Ce redémarrage éteindra et allumera l'alimentation électrique, et forcera la barre de son à se reconnecter à votre réseau.

ARC^{MC} (ANTHEM ROOM CORRECTION)

Même lorsque les meilleures enceintes sont parfaitement positionnées, la pièce elle-même peut avoir un effet important sur tout système de son, et un impact encore plus grand que toute autre composante individuelle. De nombreuses solutions sont apparues et disparues au fil des années, mais aucune n'a résolu le problème de la « pièce ». Jusqu'à l'ARC.

À l'aide de processus exclusifs et de la puissance de votre PC, le système ARC analyse le son dans la pièce de chaque enceinte, puis calcule la correction requise pour obtenir un rendement optimal de chaque enceinte. C'est un processus qui dure environ 15 minutes. L'approche d'Anthem est une véritable solution audiophile aux problèmes de la pièce.

IMPORTANT! L'espace d'écoute doit être silencieux. Un ventilateur d'ordinateur bruyant, un lave-vaisselle ou un four à micro-ondes en marche, etc. peuvent avoir un effet négatif sur les mesures de l'ARC.

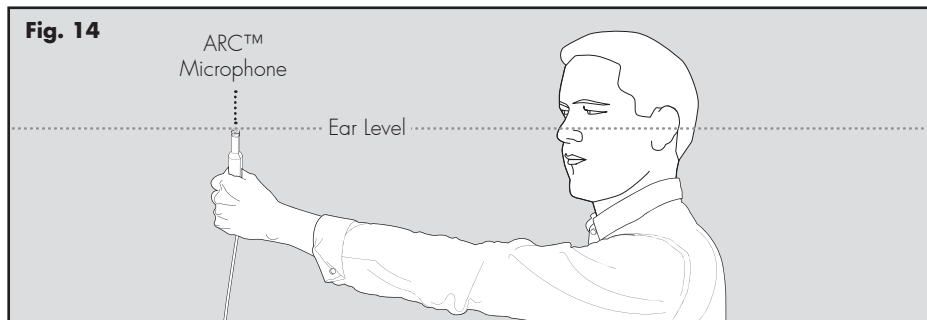
Comment utiliser la technologie ARC :

1. Assurez-vous que votre barre de son est déjà connectée à votre réseau local et qu'elle est allumée.
2. Utilisez le système de menu pour vous assurer que la fonction Power Settings > IP Control (Paramètres d'alimentation > Contrôle IP) de la barre de son est réglée à « On ».
3. Téléchargez la version Windows la plus récente du logiciel ARC-2 sur www.anthemav.com ou « Anthem ARC Mobile » dans l'iTunes App Store et installez-la. Suivez les instructions à l'écran.
4. **Windows uniquement :** À l'aide du câble USB, connectez le microphone ARC à un PC Windows. Le câble USB et le microphone ARC sont fournis avec la barre de son.
5. Cherchez l'icône et lancez le programme ARC. Suivez

Fig. 14

ARCTM
Microphone

Ear Level



les invites sur votre écran pour lancer le logiciel ARCMC; le processus intégral durera environ 15 minutes.

- 6 Tenez le microphone ARC avec le bras entièrement allongé; la pointe du microphone ARC doit être orientée vers le plafond et elle doit être placée au niveau de l'oreille.

- 7 Pour obtenir de meilleurs résultats, tenez le microphone dans 5 positions différentes autour de la pièce.

CONSEIL! Une fois que le processus ARC est terminé, l'audio sera joué en reflétant ces corrections. Pour allumer et éteindre les corrections ARC, utilisez le menu et naviguez à « Anthem Room Correction ».

RENSEIGNEMENTS GÉNÉRAUX

RENSEIGNEMENTS SUR LA GARANTIE

La barre de son est vendue avec une garantie limitée automatique de 90 jours. Vous avez la possibilité d'obtenir, sans frais supplémentaires, une garantie limitée de 2 ans. Pour plus de commodité, MartinLogan permet également l'enregistrement en ligne à la garantie à l'adresse www.martinlogan.com.

MartinLogan pourrait ne pas honorer les réclamations de service au titre de la garantie à moins d'avoir une carte d'enregistrement à la garantie dûment remplie dans ses dossiers! Si vous n'avez pas reçu de certificat d'enregistrement à la garantie avec votre nouvelle barre de son, il vous est impossible de savoir si vous avez reçu un appareil neuf. Le cas échéant, communiquez avec votre revendeur MartinLogan.

SERVICE

Si vous utilisez votre produit MartinLogan dans un pays autre que celui où il a été acheté à l'origine, nous vous demandons de noter ce qui suit :

- 1 Le distributeur MartinLogan désigné pour tout pays donné est responsable du service au titre de la garantie

uniquement pour les appareils distribués par ce pays ou par l'entremise de celui-ci conformément à sa garantie applicable.

- 2 Si un produit MartinLogan doit faire l'objet de réparations (service) dans un pays autre que celui où il a été acheté à l'origine, l'utilisateur final peut faire réparer le produit chez le distributeur MartinLogan le plus proche, sous réserve des politiques de service locales de ce distributeur, mais tous les coûts des réparations (pièces, main-d'œuvre et transport) seront assumés par le propriétaire du produit MartinLogan.

- 3 Si, après avoir possédé l'enceinte pendant six mois, vous déménagez dans un pays autre que celui où vous avez acheté l'enceinte, votre garantie peut être transférable. Communiquez avec MartinLogan pour obtenir tous les détails.

NUMÉRO DE SÉRIE

Le numéro de série est situé derrière la barre de son, près du panneau de raccordement. Le numéro de série est également indiqué sur la boîte de l'appareil.

COMMUNIQUER AVEC LE SERVICE À LA CLIENTÈLE

Le service à la clientèle de MartinLogan est disponible du lundi au vendredi, de 8 h à 17 h (heure normale du

Centre) en composant le 785-749-0133 ou en envoyant un courriel à l'adresse service@martinlogan.com.

FOIRE AUX QUESTIONS

Puis-je utiliser la barre de son comme un canal central dédié? Non. La barre de son est conçue pour fonctionner comme un appareil de lecture audio à 2 canaux stéréo ou ambiophonique à canaux multiples.

Pourquoi la barre de son ne reproduit pas le son à canaux multiples (son ambiophonique)? Il peut y avoir plusieurs raisons. Consultez la section « Raccordement » de ce manuel pour mieux comprendre les méthodes de raccordement et les actions potentielles qui peuvent avoir des conséquences sur la capacité de la barre de son à recevoir le son encodé à canaux multiples de votre télévision ou d'autres composantes sources vidéo/audio.

Est-ce que la barre de son décode les formats Dolby^{MD} TrueHD ou DTS-HD Master Audio^{MC}? Non. Cette barre de son ne décode pas les formats Dolby TrueHD ou DTS-HD Master Audio^{MC}. Si votre source audio (probablement un lecteur Blu-ray) accepte l'un de ces formats, vous devez la configurer par défaut à la piste de son encodée Dolby Digital ou DTS Digital Surround^{MC}.

Comment puis-je raccorder la barre de son si ma télévision n'a pas de sortie numérique optique? Si votre télévision a des sorties analogiques, elles peuvent être utilisées à la place. Pour une connexion numérique, raccordez la sortie audio numérique de votre boîte de câble (ou DVD, Blu-Ray, console de jeu, etc.) directement à la barre de son à l'aide d'un câble d'un câble numérique optique. Une connexion numérique directe avec une composante source est toujours l'idéal.

Comment puis-je nettoyer la barre de son? Utilisez un linge propre (comme un linge à microfibras) ou une brosse molle pour enlever la poussière des enceintes. Ne vaporisez pas d'agent nettoyant sur ou à proximité des haut-parleurs.

Puis-je utiliser d'autres câbles que ceux fournis avec la barre de son? Les câbles inclus avec la barre de son sont fournis pour vous permettre de commencer. Vous pourriez juger utile d'augmenter la performance du système avec des câbles supplémentaires ou de remplacer les câbles inclus par des câbles d'une longueur différente.

Puis-je monter la barre de son sur le mur à l'aide de supports muraux qui pivotent? MartinLogan ne fournit pas de support mural qui pivote avec la barre de son. Il existe des options sur le marché, mais nous ne recommandons et ne garantissons aucune marque ni aucun modèle en particulier.

Pouvez-vous me proposer une liste d'appareils électroniques et de câbles qui conviennent aux enceintes MartinLogan? Nous n'avons pas de produits préférés; nous utilisons les appareils électroniques et les câbles de façon assez interchangeable. Nous vous proposons d'écouter plusieurs marques et surtout, de faire confiance à votre ouïe. Les revendeurs sont toujours la meilleure source de renseignements lorsque vous achetez de l'équipement audio supplémentaire.

Peut-il y avoir une interaction entre mes enceintes et la télévision dans mon système A/V? Oui, mais seulement avec les télévisions CRT. Cette barre de son n'a pas de protection magnétique et doit être gardée à au moins 2 pieds d'une télévision CRT. Les télévisions ACL et plasma ne sont pas touchées.

Comment puis-je enlever le couvercle de grille de la barre de son? Le couvercle de grille de la barre de son n'est pas amovible.

DÉPANNAGE

La barre de son ne s'allume pas.

- Vérifiez que le cordon d'alimentation CA de la barre de son est bien fixé dans l'entrée AC Power In et bien branché dans une prise CA qui fonctionne.

Aucun son de la barre de son.

- Vérifiez si la barre de son est allumée.
- Vérifiez si la barre de son est en mode sourdine (mute).
- Vérifiez si le volume de la barre de son est à zéro.
- Vérifiez si la barre de son est réglée à la bonne entrée.
- Vérifiez que toutes les composantes du système sont allumées et que le matériel source est en mode lecture.
- Éteignez et allumez la barre de son à l'aide de la télécommande ou du bouton Power.
- Débranchez la barre de son, attendez 30 secondes et rebranchez-la.
- Vérifiez si tous les câbles d'interconnexion sont raccordés aux deux extrémités.
- Si nécessaire, essayez de raccorder une autre composante source pour vous assurer que la composante source d'origine n'est pas le problème.

Aucun son ambiophonique

- Consultez la section « Raccordement » de ce manuel pour mieux comprendre les méthodes de raccordement et les options potentielles qui peuvent avoir des conséquences sur la capacité de la barre de son à recevoir le son encodé à canaux multiples de votre télévision ou d'autres composantes sources vidéo/audio.

Aucun son ne sort de la barre de son et de ma télévision

- Lorsque vous utilisez la barre de son pour reproduire l'audio, la sortie audio de la télévision doit être désactivée. Certaines télévisions vous permettent d'éteindre l'enceinte interne en passant par le système de menu de la télévision. Pour d'autres modèles de télévision, vous devez régler le volume de la télévision à zéro ou à « sourdine ».

Le son de la barre de son est trop faible, même lorsque je monte le volume

- Vérifiez si la sortie de votre télévision ou des autres composantes sources est raccordée par l'entremise d'une sortie à niveau variable. Parfois, cette option peut être configurée dans le menu de la composante source. Veuillez consulter le manuel de la composante source en question.

La barre de son n'enregistre pas les codes d'une autre télécommande

- Consultez la section « Menu Option: Learn » (Option menu : apprentissage) de ce manuel.
- Tenez la télécommande à 12 pouces (30 cm) de la barre de son pendant le processus d'apprentissage.
- Appuyez sur le bouton approprié de la deuxième télécommande à quatre reprises.
- Si la barre de son a déjà appris un code de télécommande et que vous essayez de programmer le même code pour une deuxième fonction, la barre de son répondra par « Échec ».
- Il se peut que la barre de son ne puisse pas apprendre ou apprendre correctement certains types de télécommande. En raison du nombre de télécommandes disponibles, il est impossible de prédire quelles télécommandes fonctionneront ou ne fonctionneront pas.
- Vérifiez le manuel de l'utilisateur ou le site Web du fabricant pour savoir si votre télécommande secondaire est supportée par MartinLogan. Le cas échéant, au lieu « d'apprendre » avec la barre de son, utilisez le code fourni par le fabricant pour programmer la télécommande secondaire elle-même.

La télécommande de la barre de son ne fonctionne pas

- Remplacez les piles de la télécommande avec des piles correspondantes.
- Assurez-vous que les piles sont installées dans le bon sens.
- Si les nouvelles piles ne règlent pas le problème, la télécommande pourrait être défectueuse. Appelez le

service à la clientèle de MartinLogan au 785-749-0133 pour obtenir les détails.

Lorsque j'utilise une deuxième télécommande, la barre de son s'éteint quand j'allume la télévision

- Allumez la télévision. Appuyez sur le bouton Power de la barre de son afin que la barre de son et la télévision soient allumées en même temps.

Aucun son provenant du caisson de sous-graves externe

- Vérifiez si le caisson de sous-graves externe est allumé.
- Vérifiez si la barre de son est configurée pour un raccordement câblé ou un raccordement sans fil. Consultez la section « Raccordement d'un caisson de sous-graves » de ce manuel.
- Si vous utilisez un raccordement câblé, vérifiez si les câbles du caisson de sous-graves sont raccordés à la connexion Sub Out de la barre de son et à l'entrée appropriée du caisson de sous-graves.
- Si vous utilisez une connexion sans fil, essayez de synchroniser à nouveau la connexion sans fil. Consultez la section « Raccordement d'un caisson de sous-graves » de ce manuel. Si une tentative de synchronisation a échoué, vous pourriez devoir éteindre la barre de son

et le récepteur sans fil du caisson de sous-graves avant d'essayer de synchroniser à nouveau.

- Si vous utilisez une connexion sans fil, rapprochez le caisson de sous-graves de la barre de son.
- Éteignez et allumez la barre de son à l'aide de la télécommande ou du bouton Power du panneau de commande.
- Débranchez la barre de son, attendez 30 secondes et rebranchez-la.

Le caisson de sous-graves externe est trop silencieux

- Montez le volume du caisson de sous-graves.
- Réglez le niveau des graves dans le système de menu de la barre de son.
- Essayez de déplacer le caisson de sous-graves dans la salle d'écoute.

Mon barre de son ne réagit pas comme elle le devrait

- Éteignez et allumez la barre de son à l'aide de la télécommande ou du bouton Power du panneau de commande.
- Débranchez la barre de son, attendez 30 secondes et rebranchez-la.

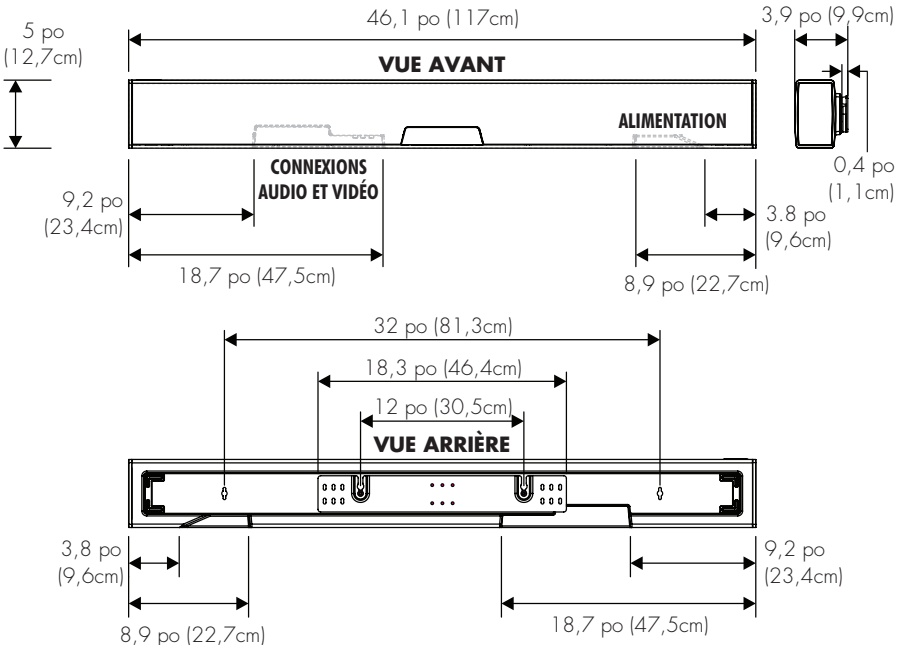
SPÉCIFICATIONS*

Réponse de fréquence	65–20 000 Hz (\pm 2 dB 1/3 octave adouci sur axe de canal)
Puissance de l'amplificateur	135 watts (pointe de 270 watts) combinés à une sortie totale sur 9 amplificateurs.
Haut-parleurs de fréquence pleine gamme.	Neuf cônes en composite à excursion élevée de 2,5 po (6,4 cm) Format de chambre asymétrique non résonant.
Boîtier	Scellé
Composantes	Préamplificateur fondé sur DSP.
Décodage.	Dolby ^{MD} Digital, DTS Digital Surround ^{MC}
Entrées.	(2x) Optical SPDIF (optique numérique), (2x) Analogique stéréo RCA, Bluetooth,
Sorties	(1x) Subwoofer Out par analogique RCA, relais IR
Connectivité sans fil	Bluetooth
Entrées sans fil	Transmetteur sans fil de caisson de sous-graves SWT-SB intégré
Sortie de caisson de sous-graves sans fil	(ICP12.090-0500D : Shenzhen Shi Ying Yuan Electronics Co.,Ltd,China) Input: AC 100–240V, 50/60Hz Output: DC 9V, 0.5A
Consommation d'énergie	Max : 180 Watts, veille : <0,5 watt
Pile de la télécommande	(2x) AAA
Poids	12.7 lbs. (5.4 kg)
Dimensions (Hxlxp), montage sur table	3.5" x 46.1" x 5" (8.9cm x 117cm x 12.7cm)
Dimensions (Hxlxp), montage sur mur	5" x 46.1" x 3.9" (12.7cm x 117cm x 9.9cm)

*Les spécifications peuvent changer sans préavis.

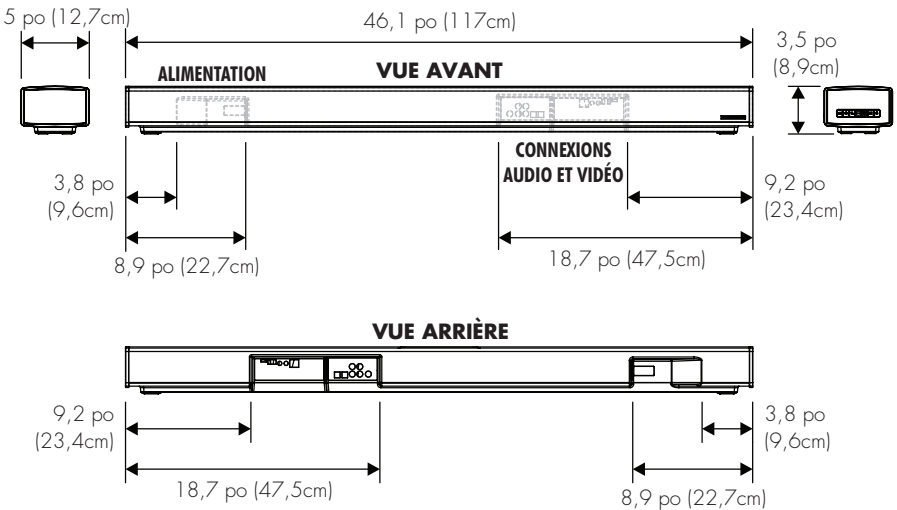
DESSINS DIMENSIONNELS

CONFIGURATION DE MONTAGE MURAL



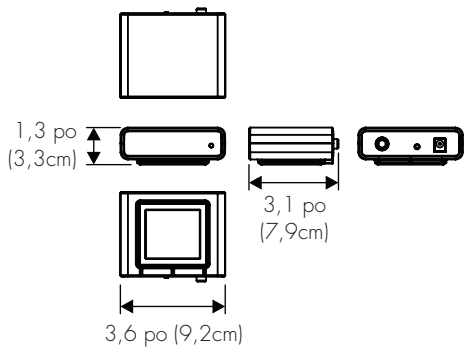
DESSINS DIMENSIONNELS

CONFIGURATION DE MONTAGE SUR UNE TABLE



DESSINS DIMENSIONNELS

RÉCEPTEUR SANS FIL DU CAISSON DE SOUS-GRAVES





Lawrence, Kansas, USA tel 785.749.0133 fax 785.749.5320 www.martinlogan.com

©2018 MartinLogan Ltd. Tous droits réservés.

Rev. 006